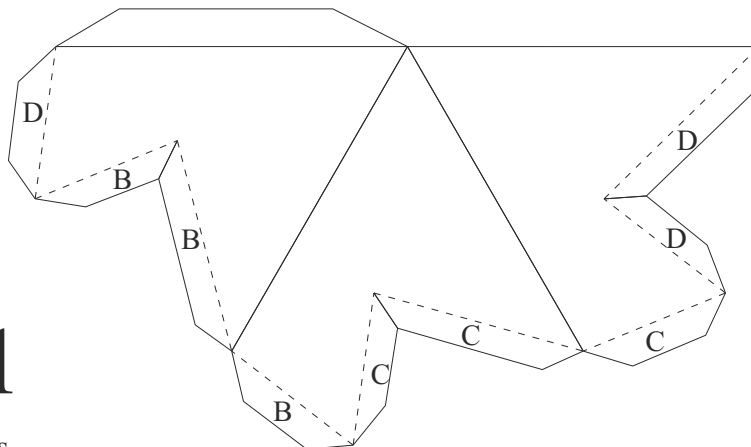


# Compound of five Tetrahedra

## A

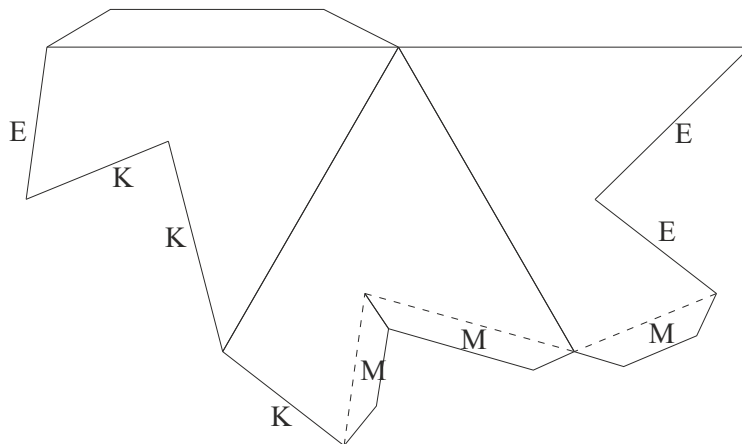
If you print on paper in five different colors each tetrahedron gets a different color



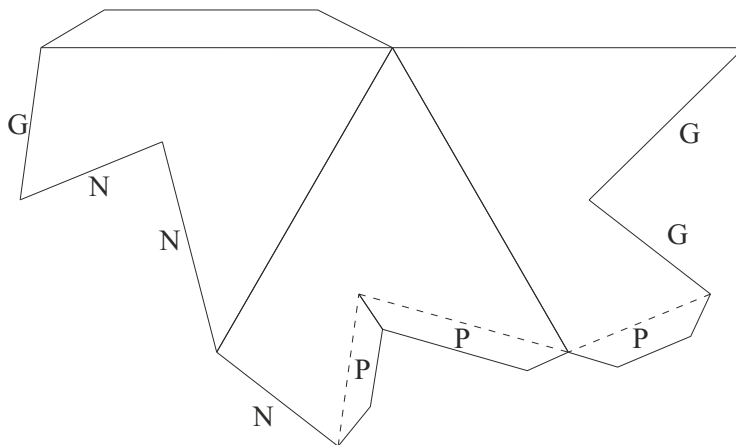
## Color 1

Fold the dotted lines forwards  
Fold the other lines backwards

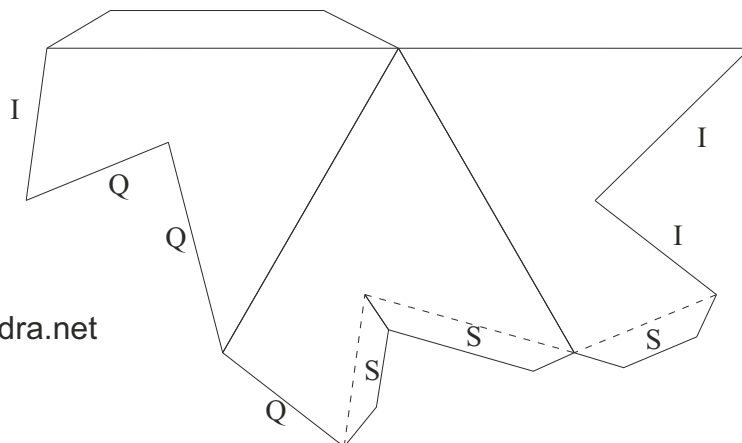
## L



## O

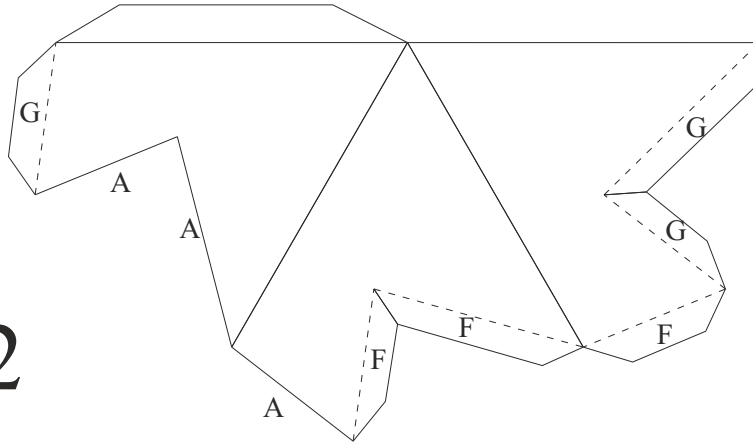


## R

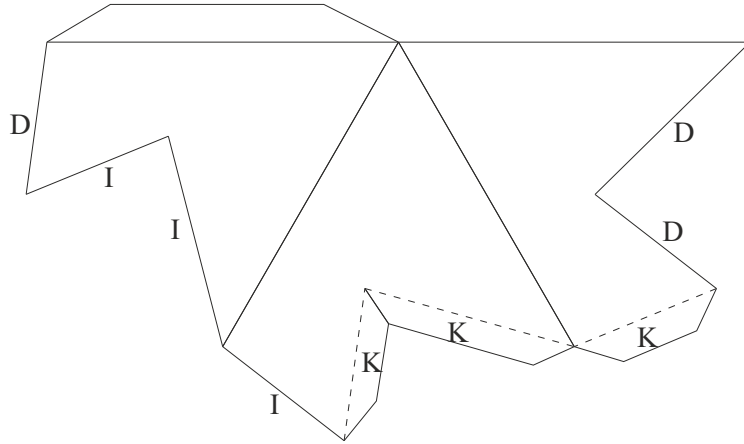


# Color 2

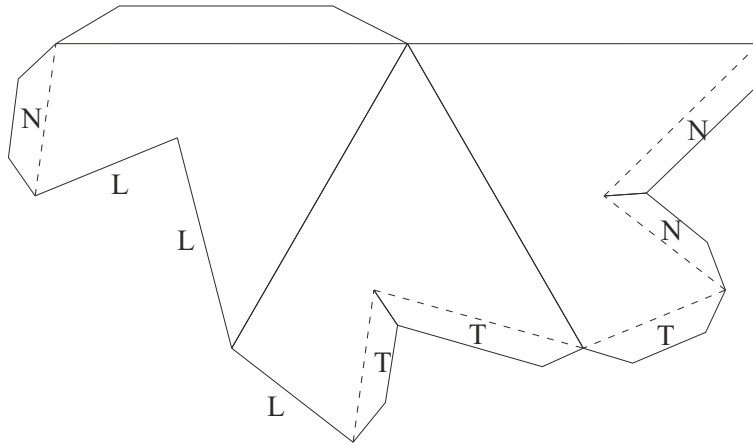
## B



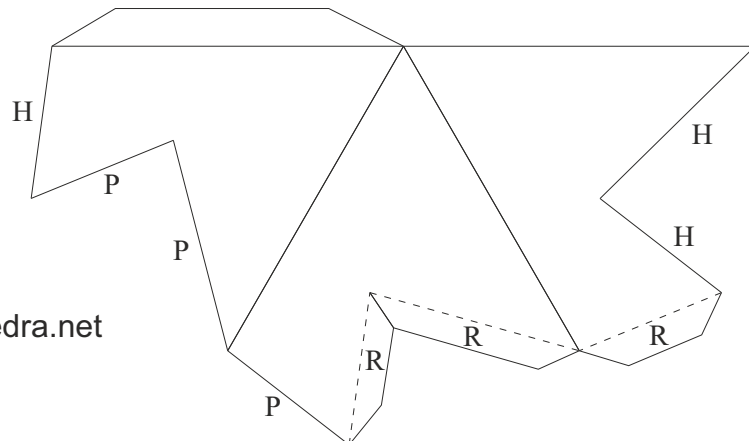
## J



## M

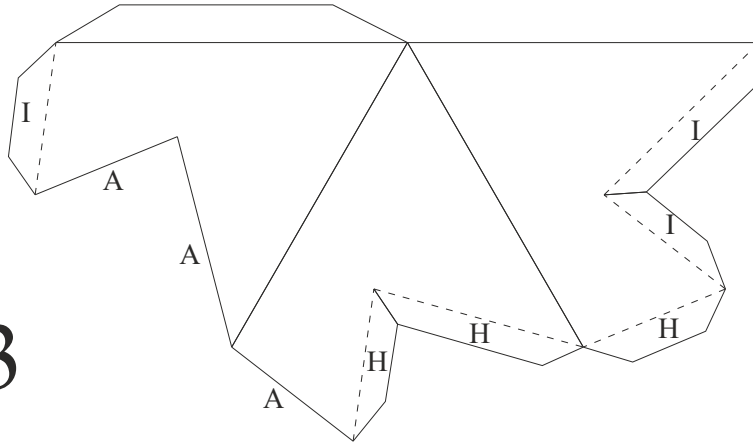


## Q

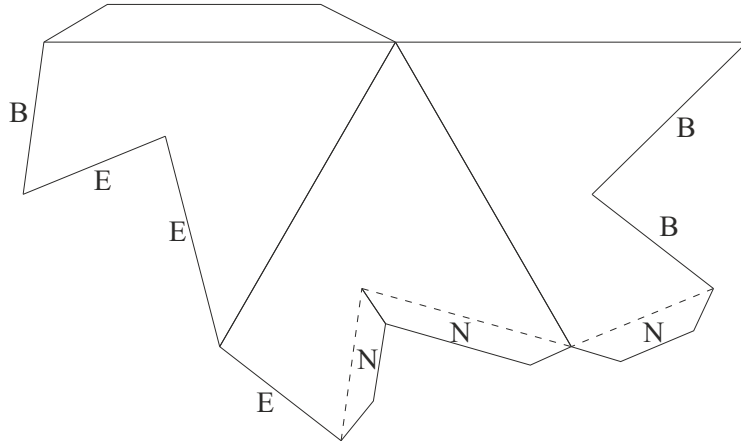


# Color 3

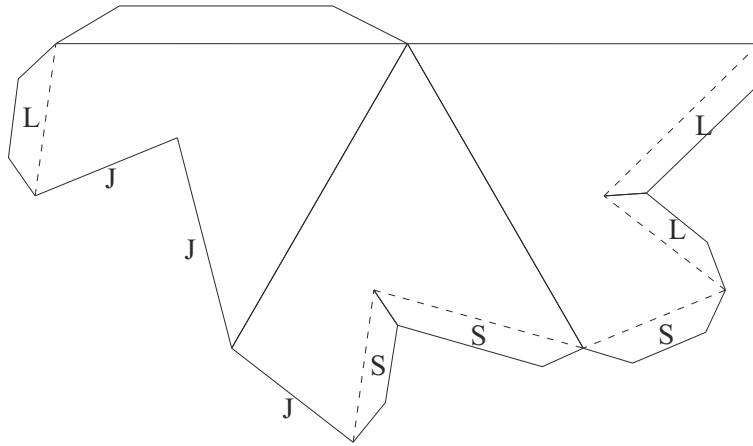
C



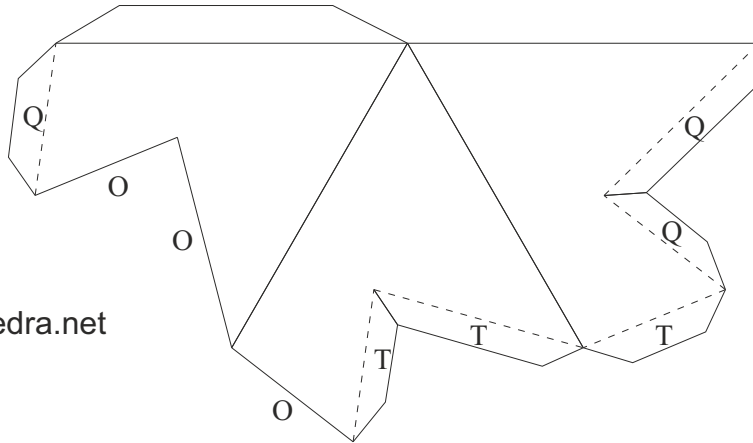
F



K

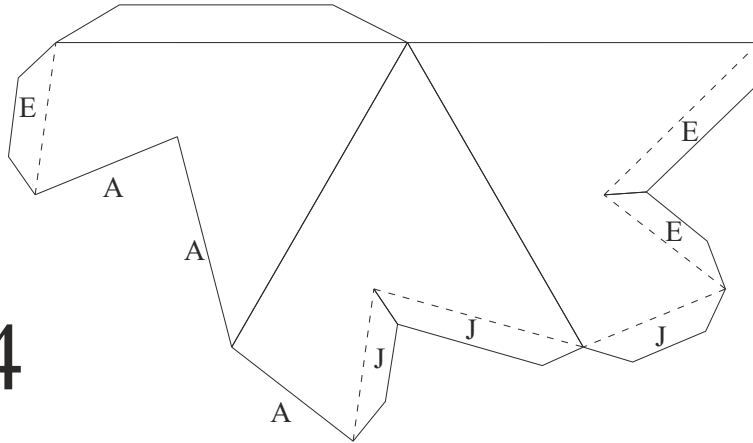


P

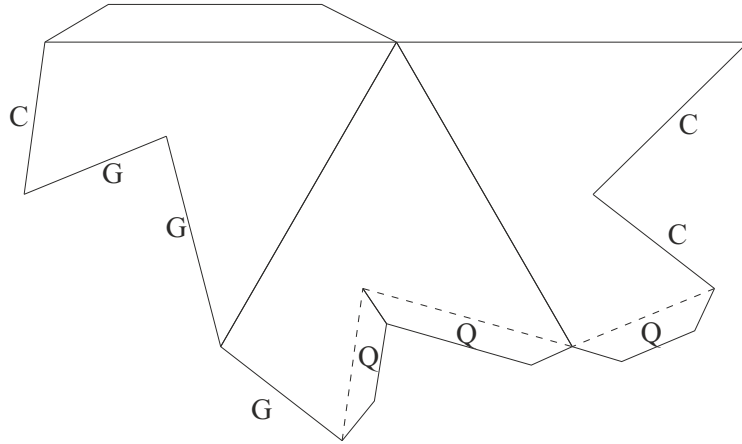


# Color 4

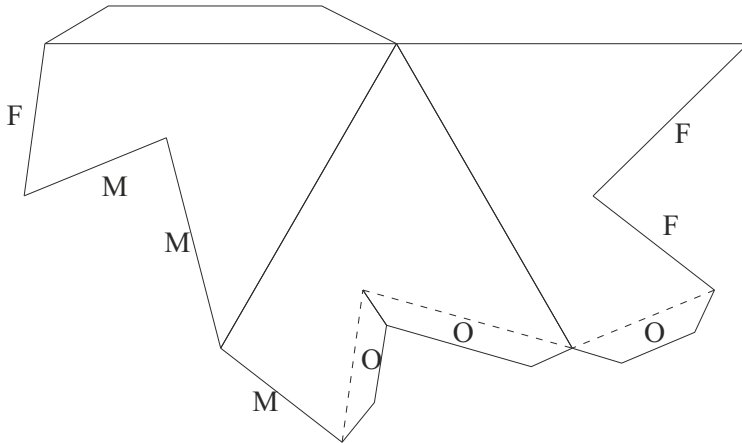
D



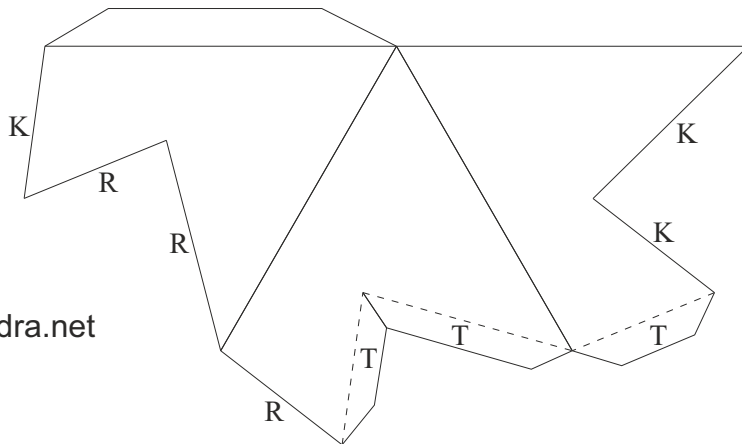
H



N

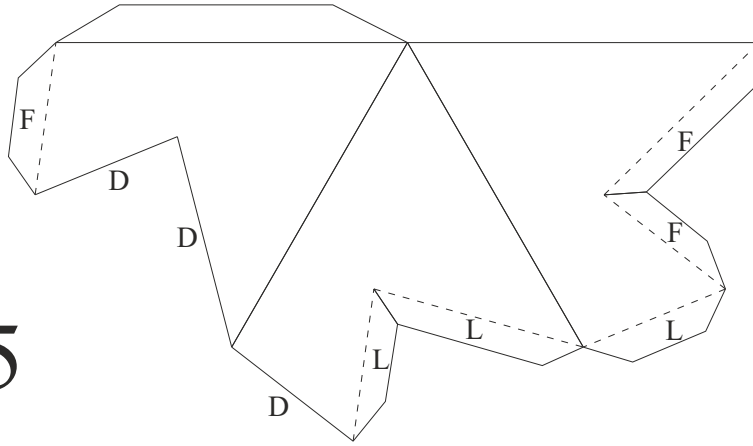


S

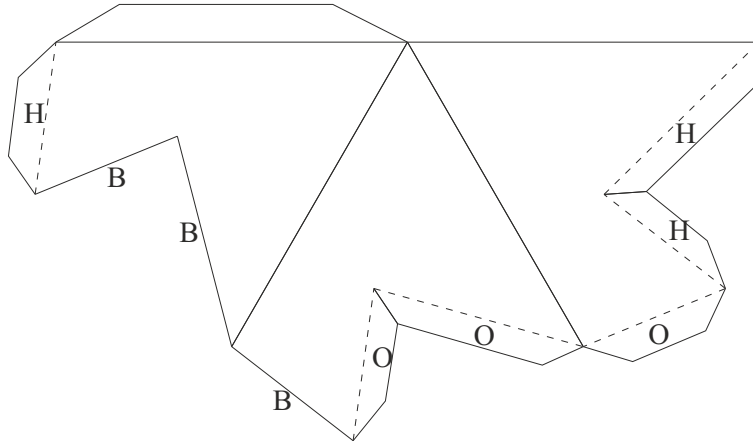


# Color 5

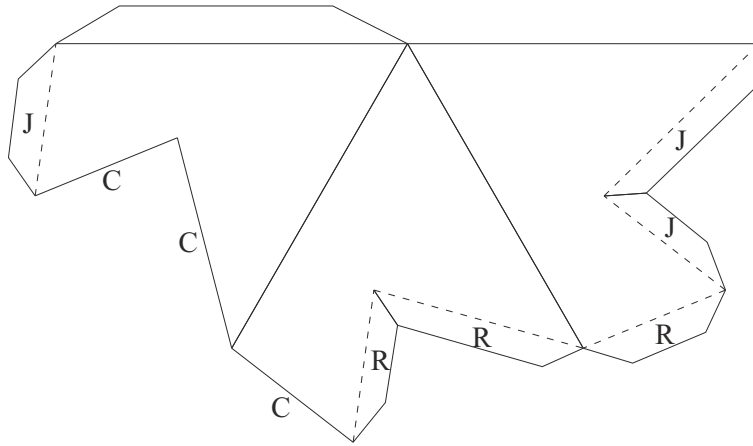
E



G



I



T

