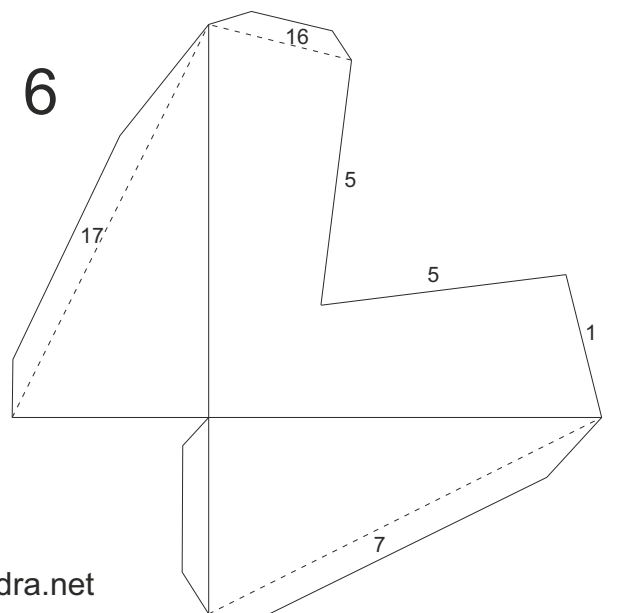
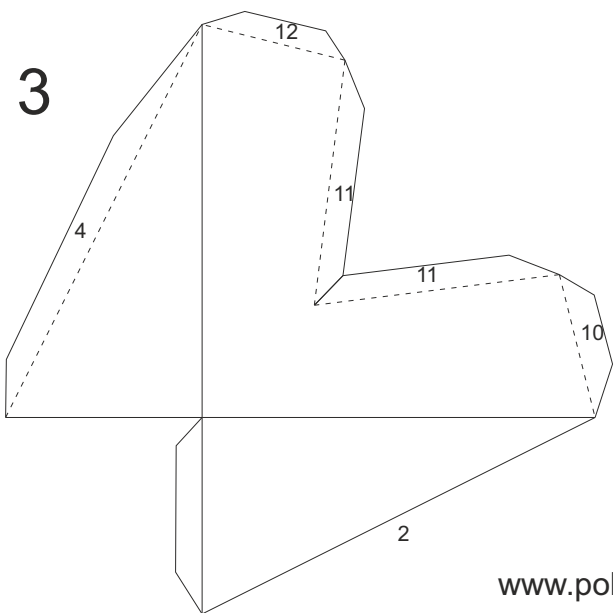
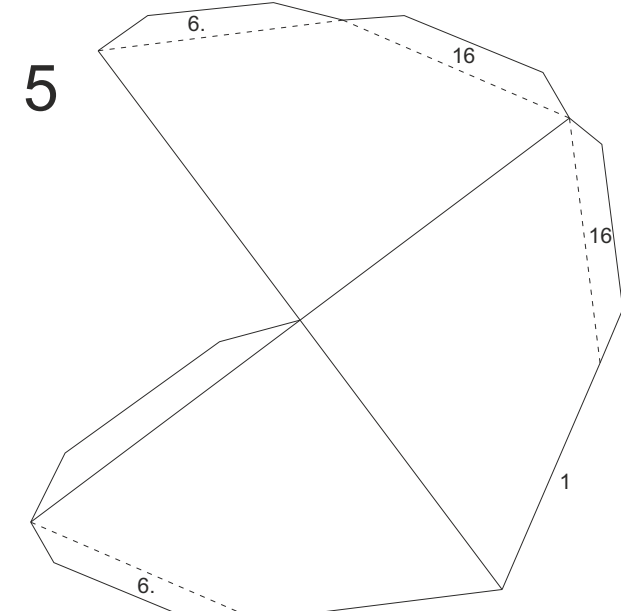
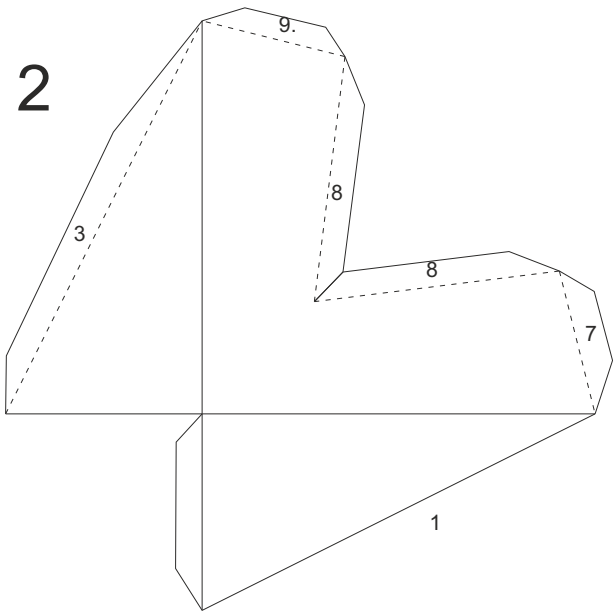
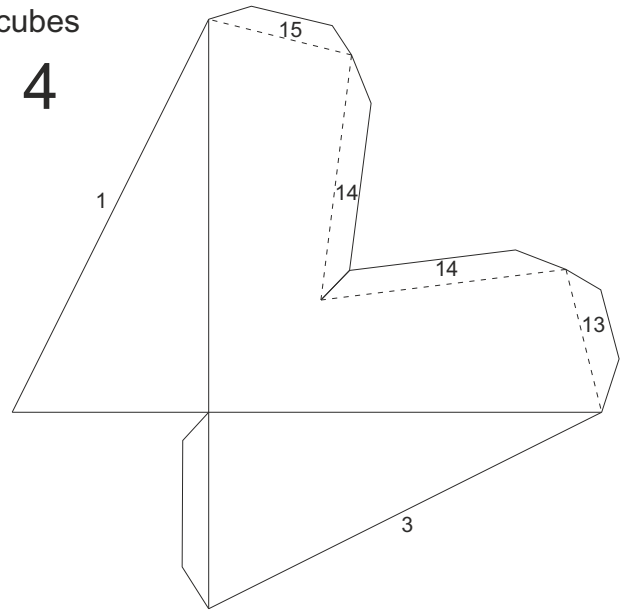
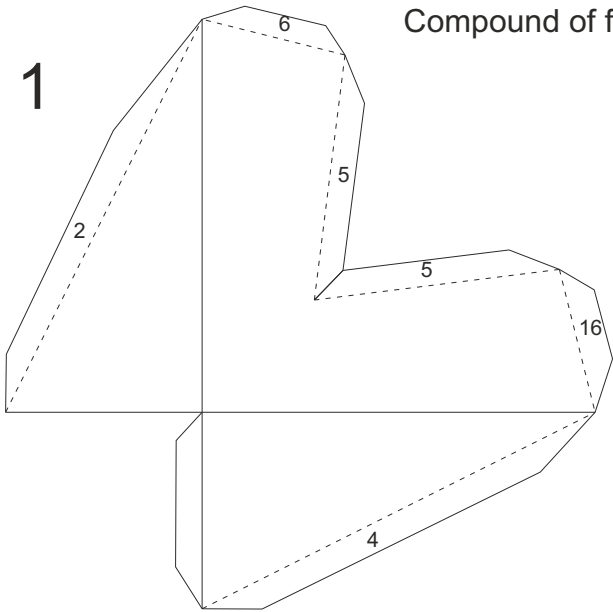
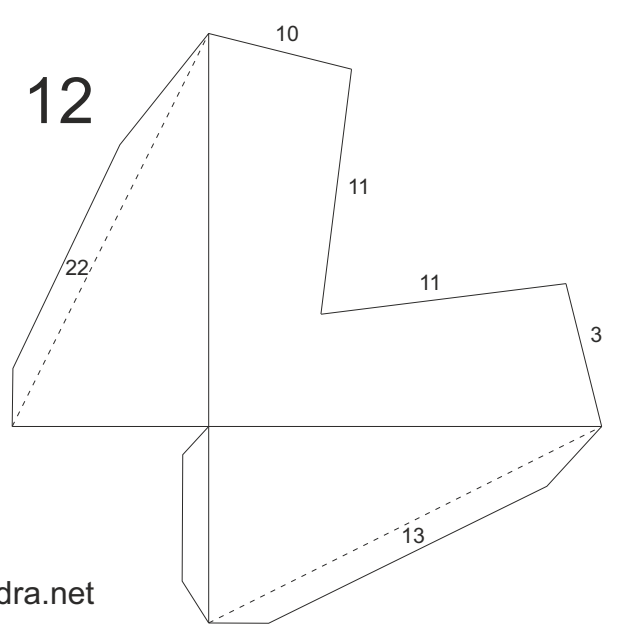
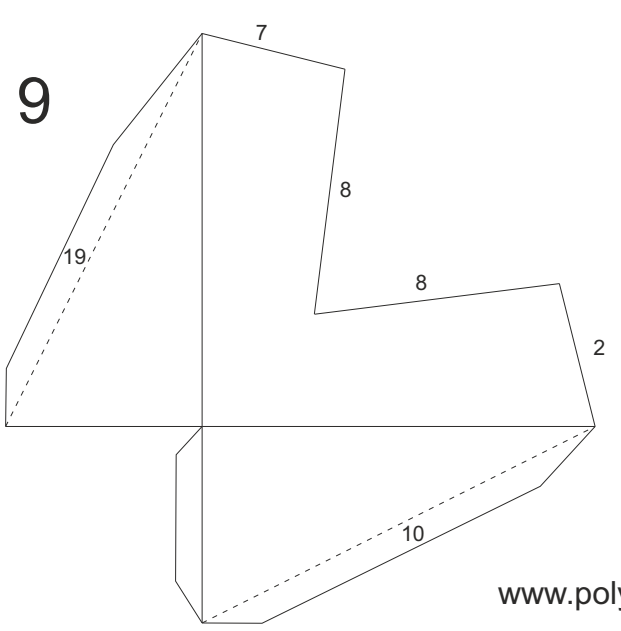
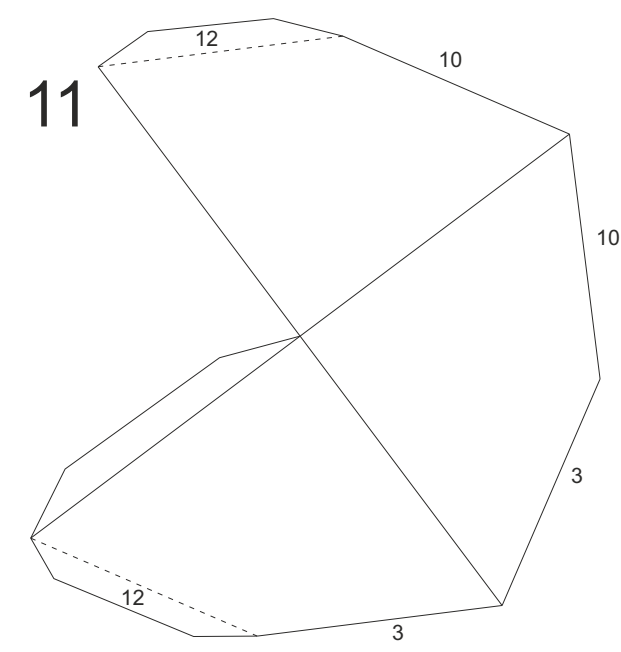
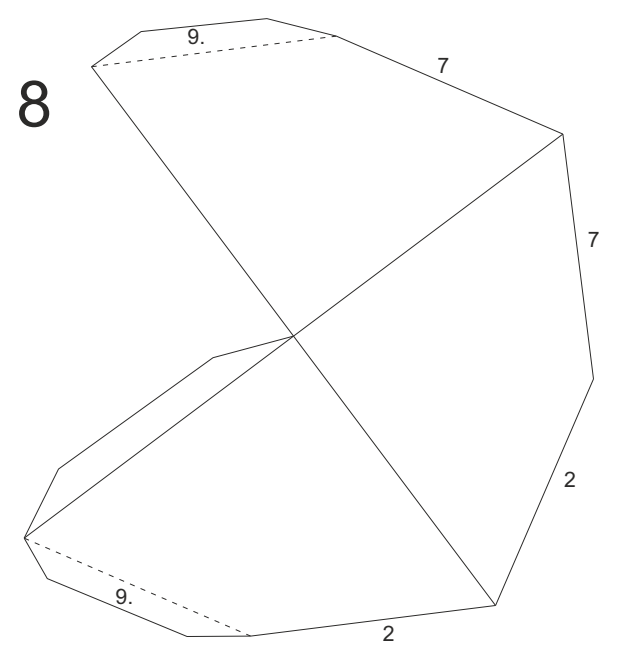
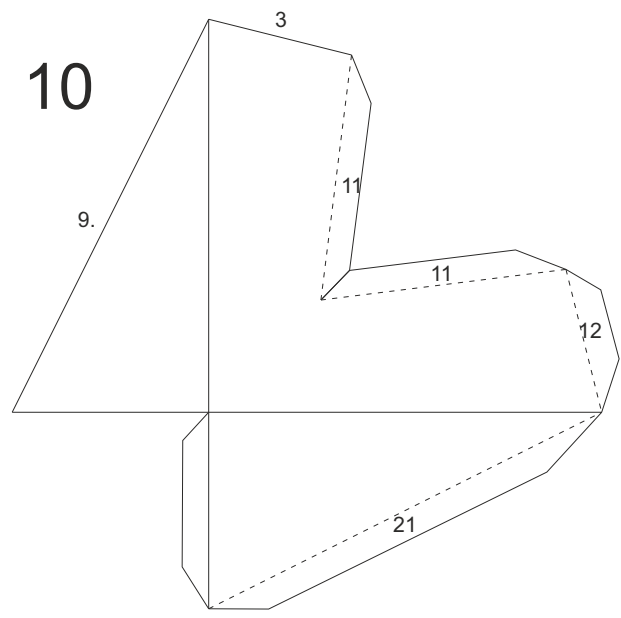
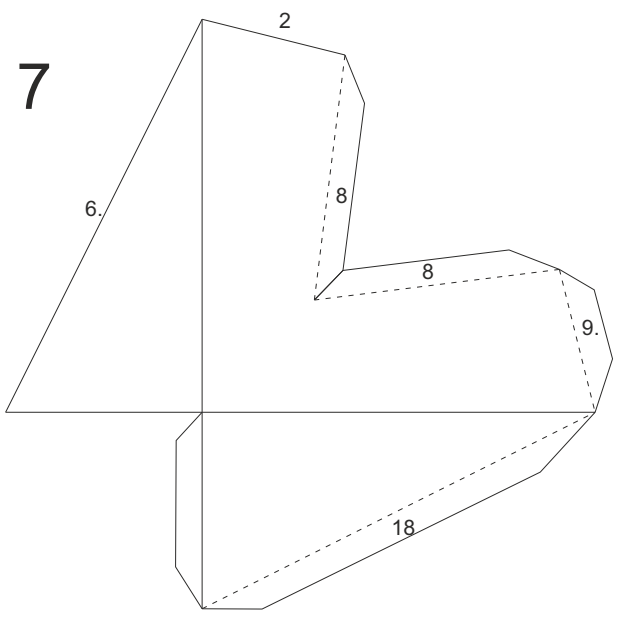


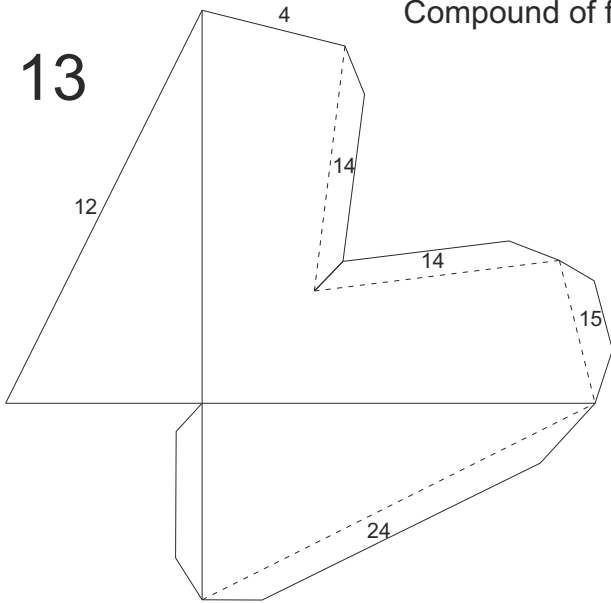
Compound of four cubes



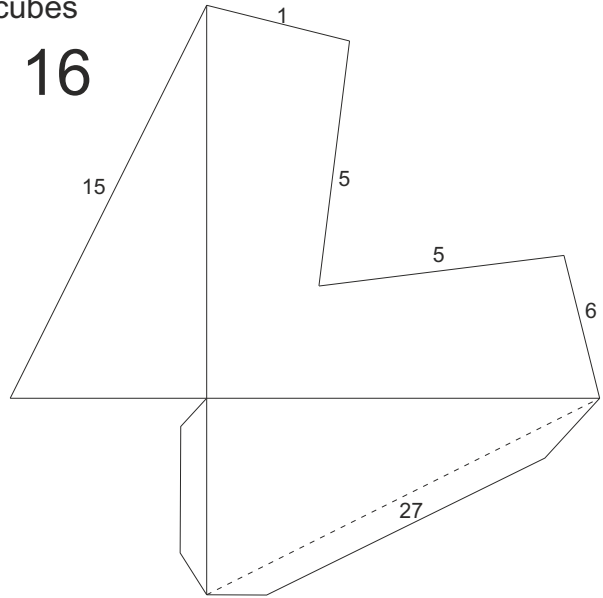


Compound of four cubes

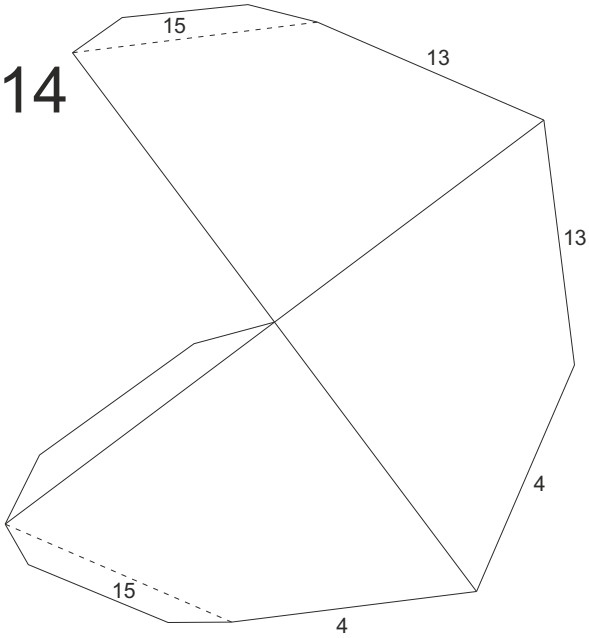
13



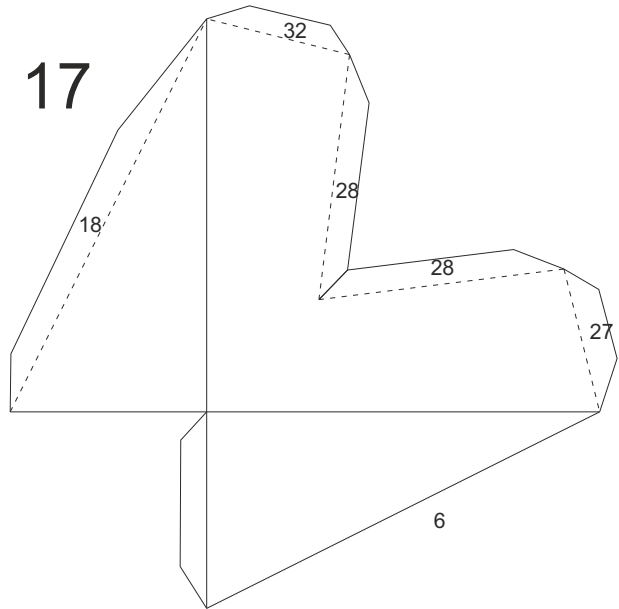
16



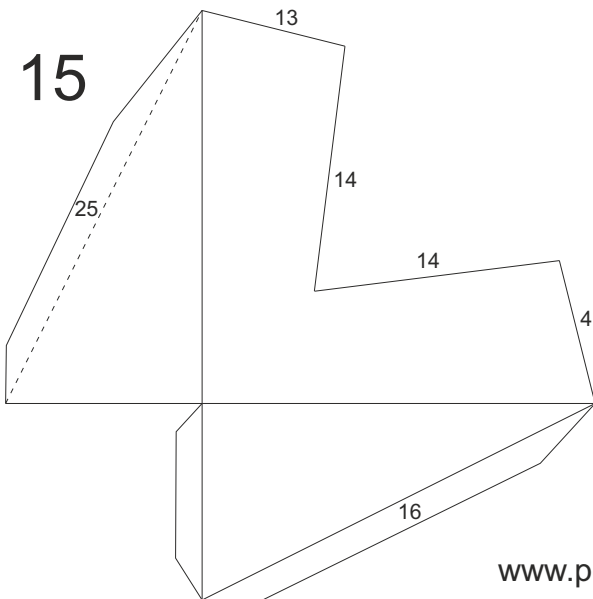
14



17



15



18

