

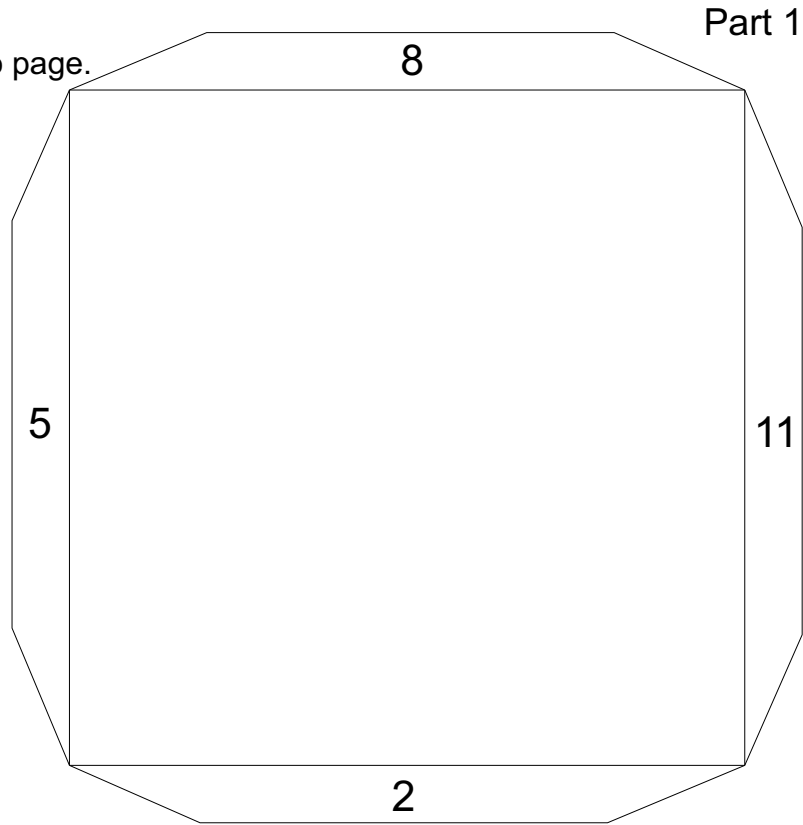
Snub Cube (left-handed)

Print the model on five
different colored papers

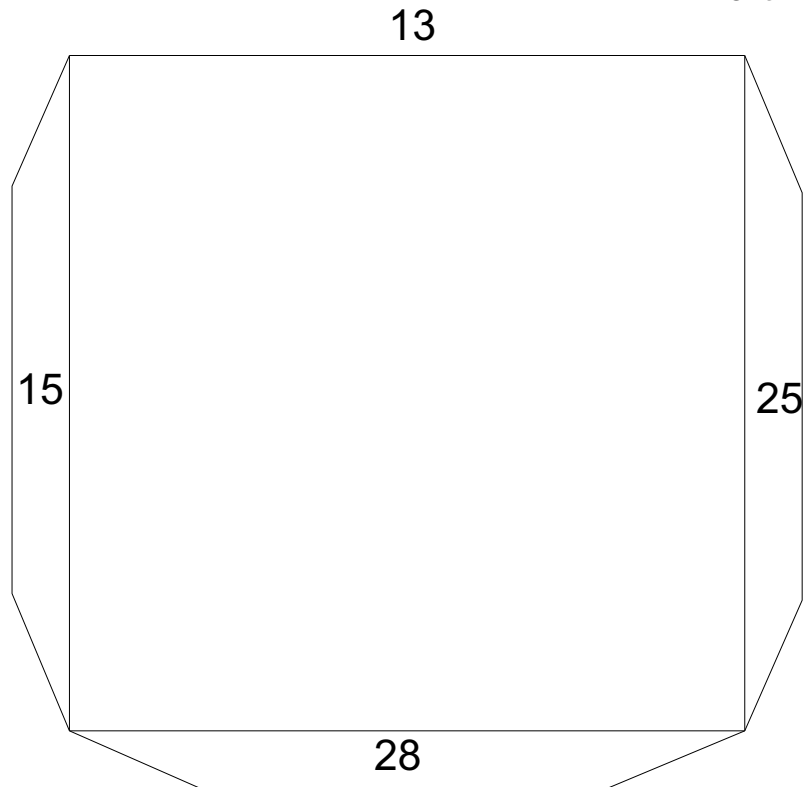
Color 1: three pages

Color 2, 3, 4 and 5 : two page.

Color 1



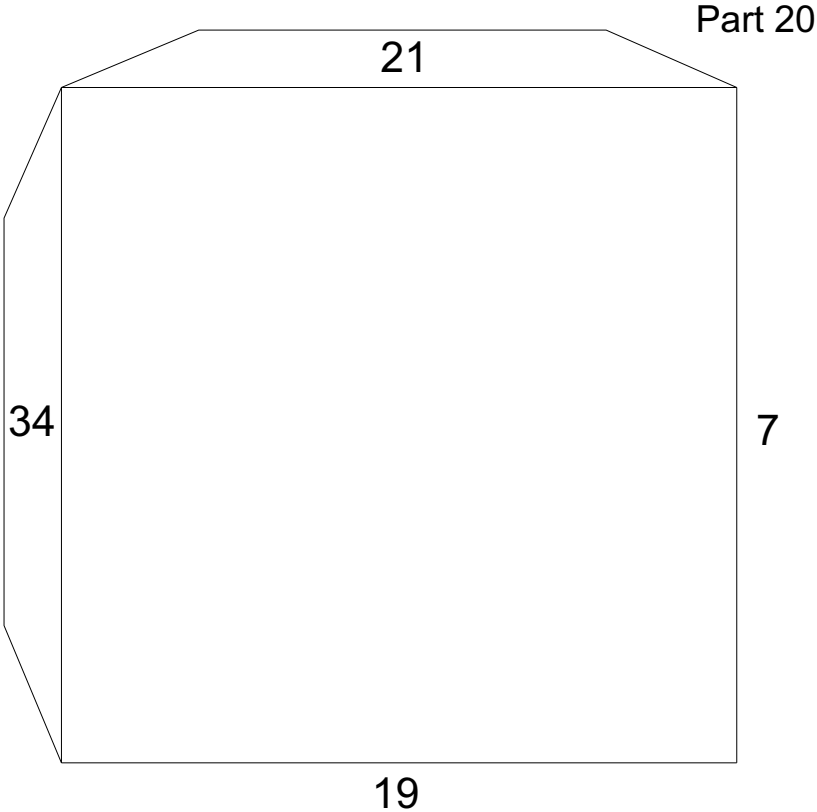
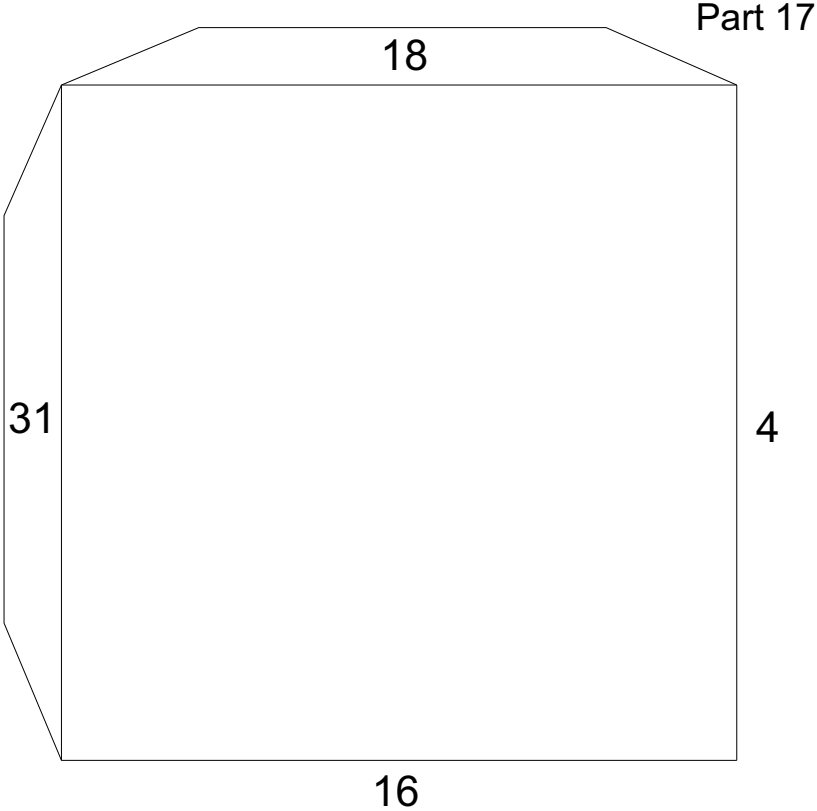
Part 14



1. Start with part 1 and glue part 2 on the tab of part 1 with the number 2.
 2. Glue part 3 on the parts 1 and 2 on the tab(s) with the number 3.
 3. Glue part 4 on the parts 1, 2 and 3 on the tab(s) with the number 4.
- Etc.

Snub Cube (left-handed)

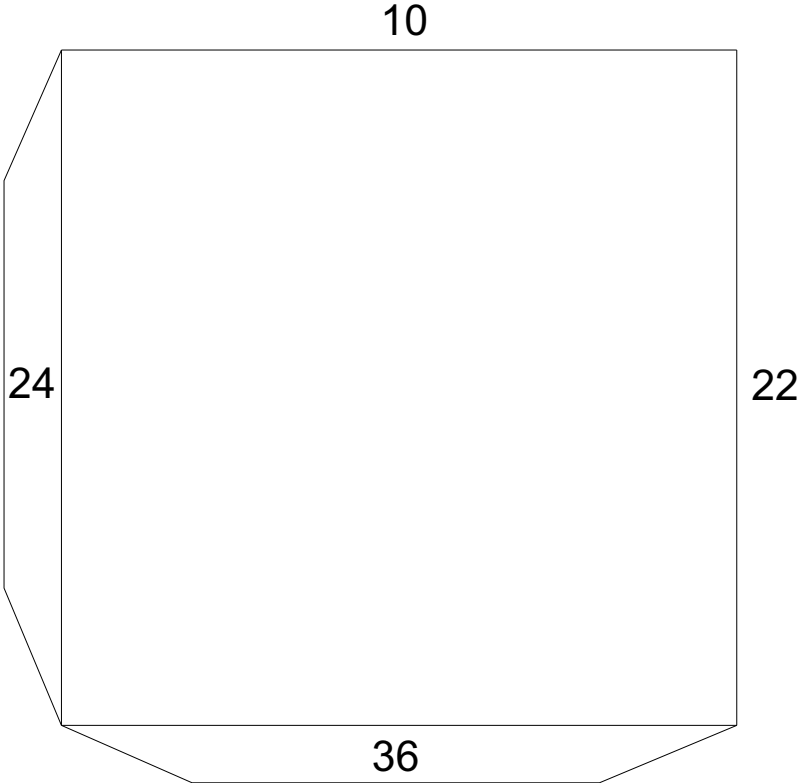
Color 1



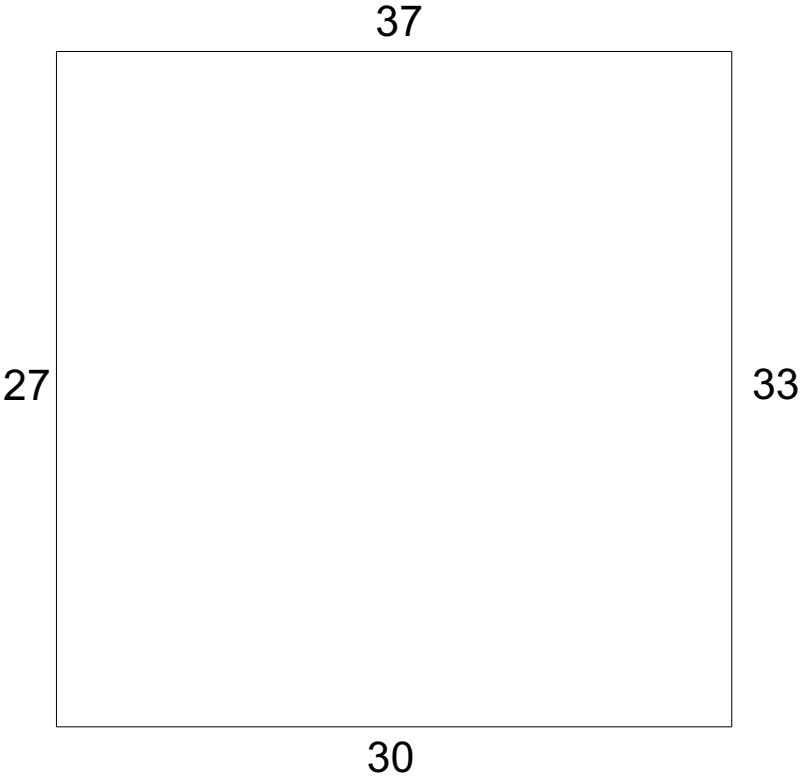
Snub Cube (left-handed)

Color 1

Part 23



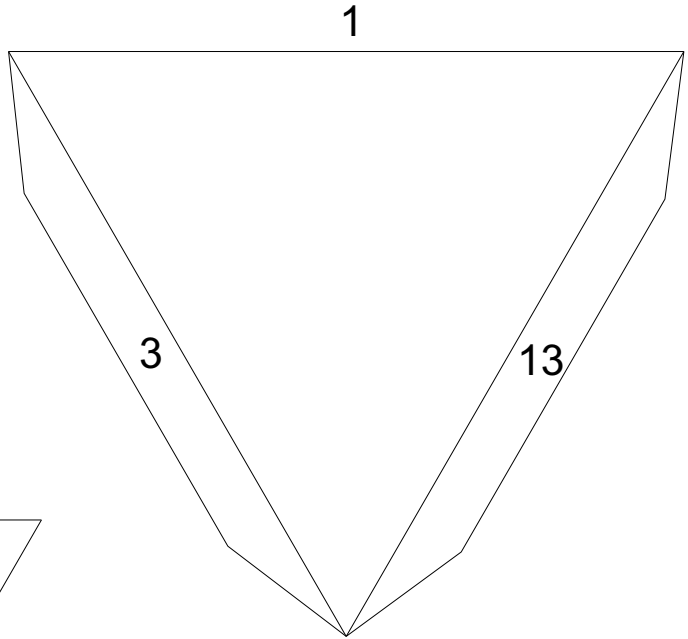
Part 38



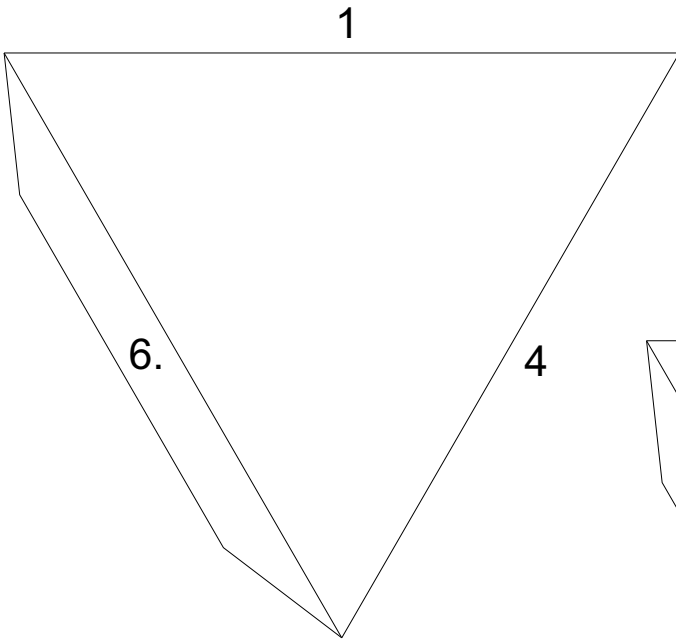
Snub Cube (left-handed)

Color 2

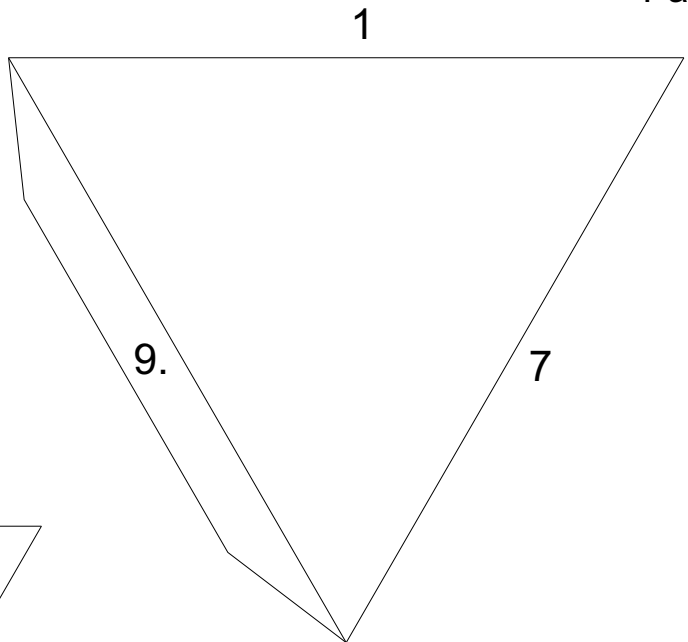
Part 2



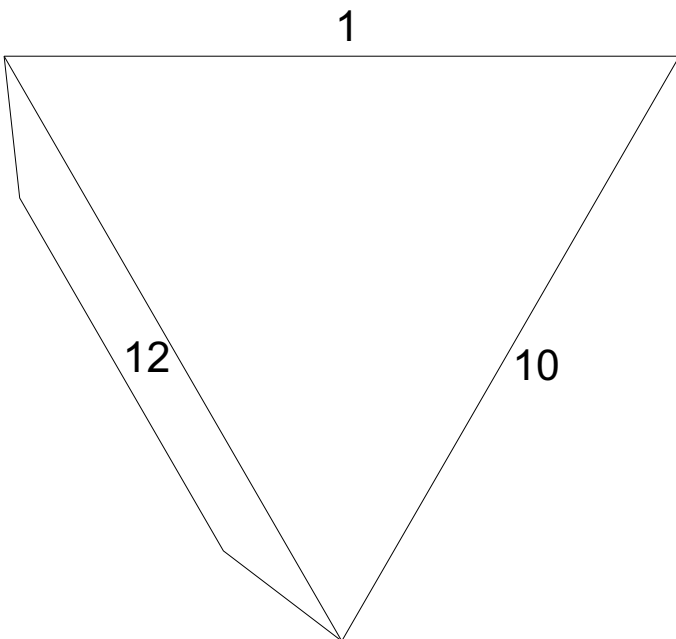
Part 5



Part 8



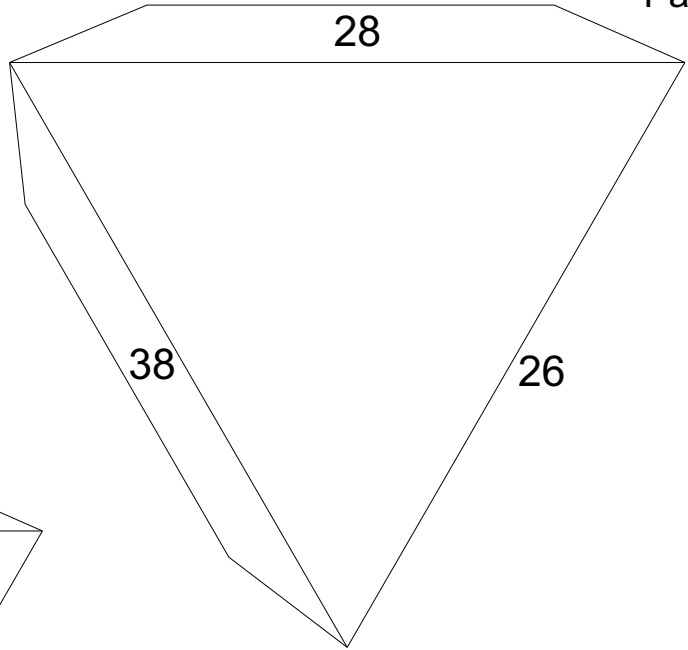
Part 11



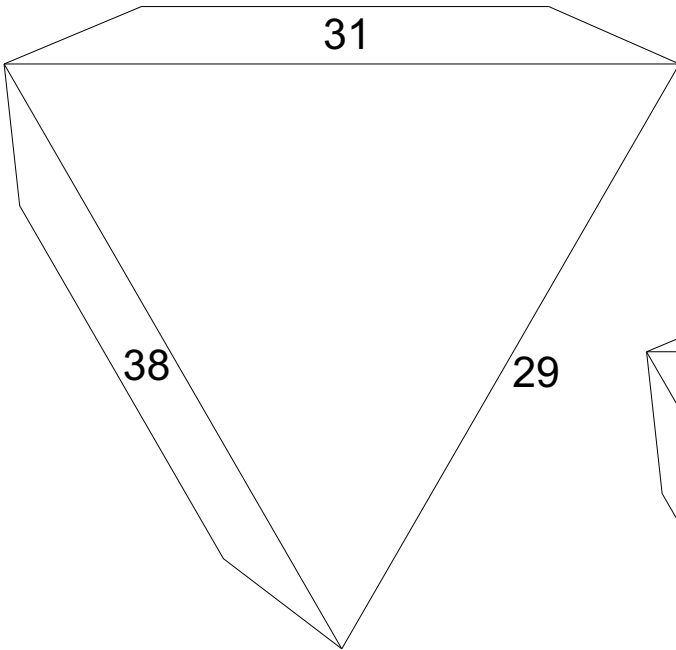
Snub Cube (left-handed)

Part 27

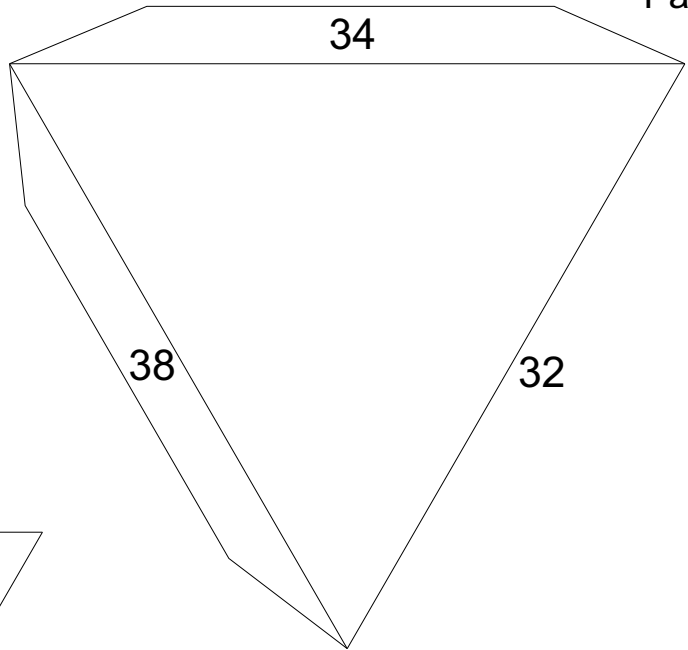
Color 2



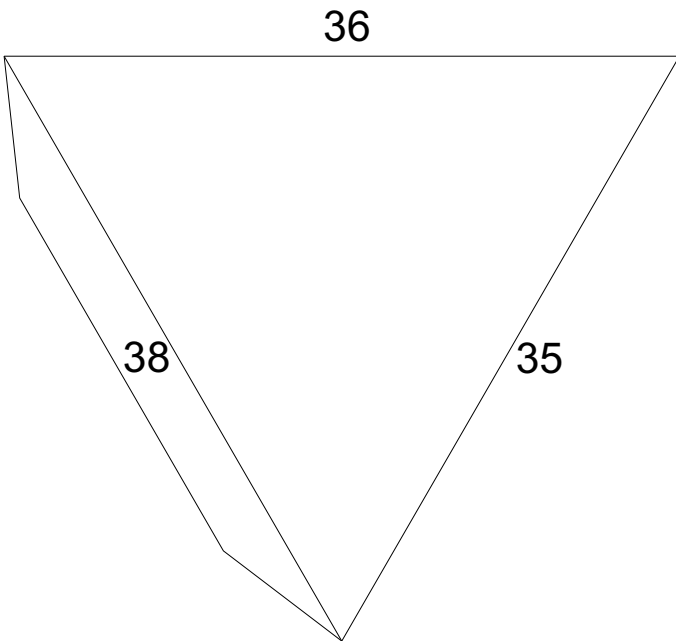
Part 30



Part 33



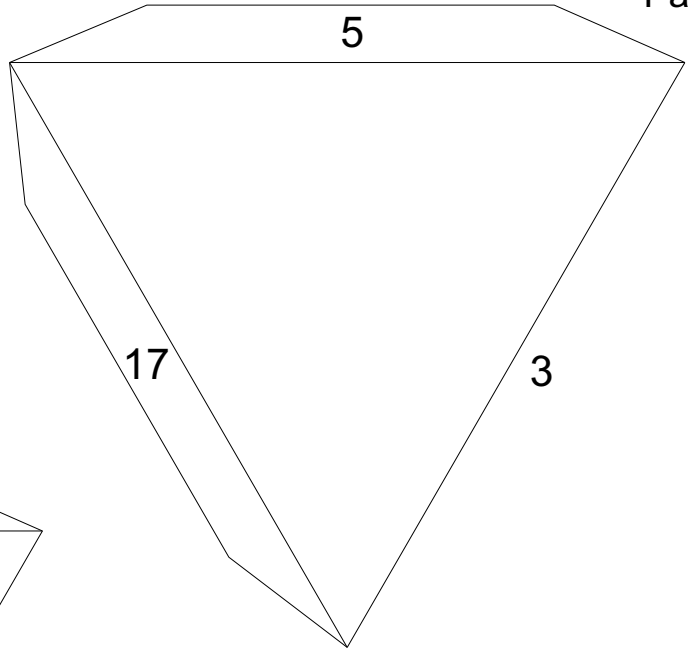
Part 37



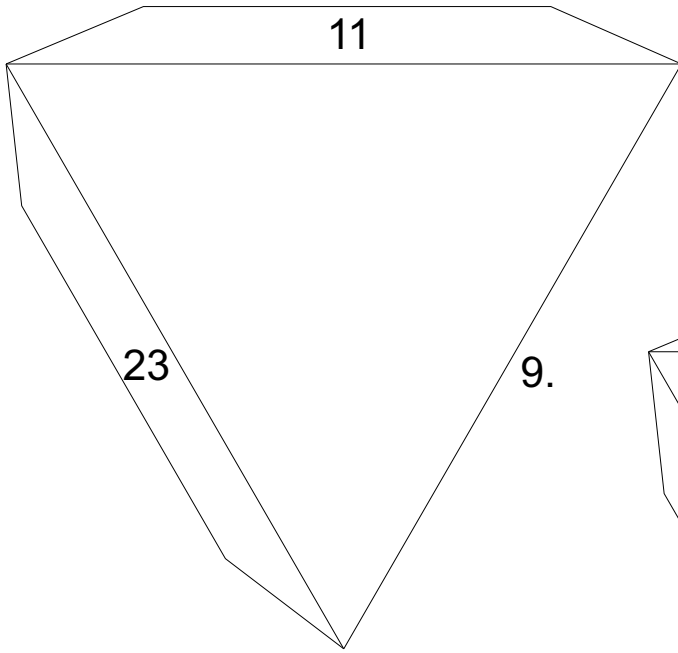
Snub Cube (left-handed)

Part 4

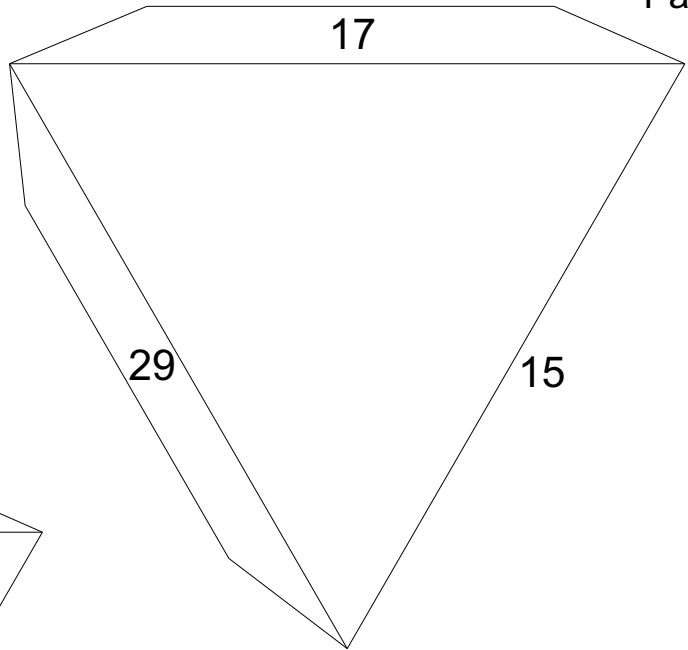
Color 3



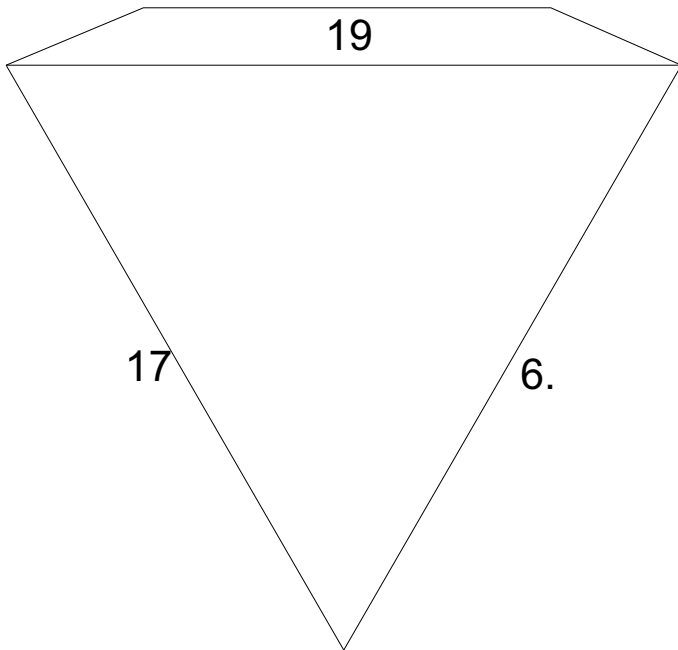
Part 10



Part 16



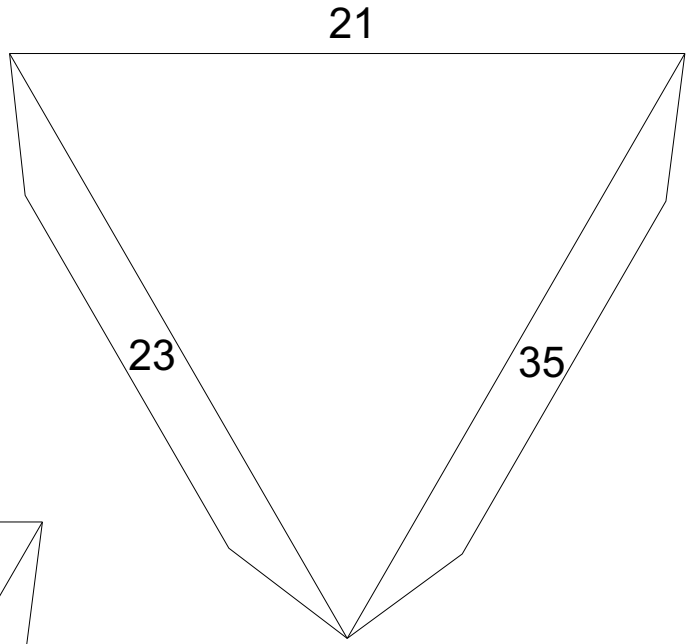
Part 18



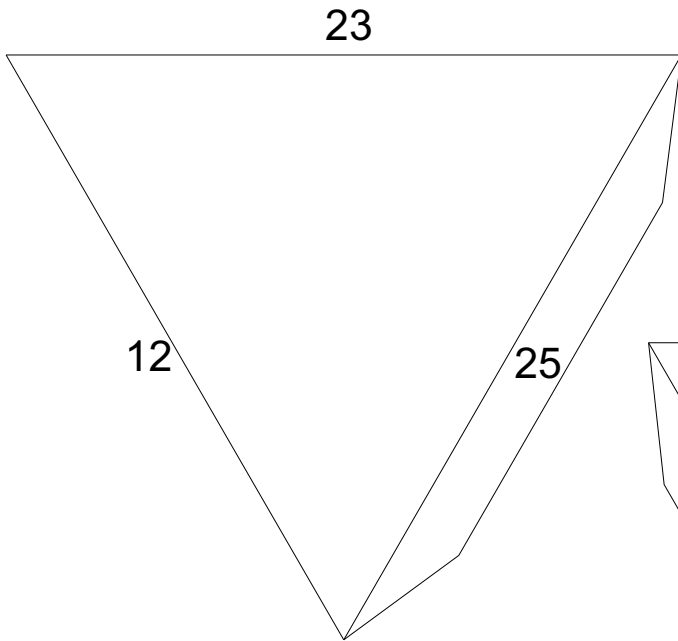
Snub Cube (left-handed)

Part 22

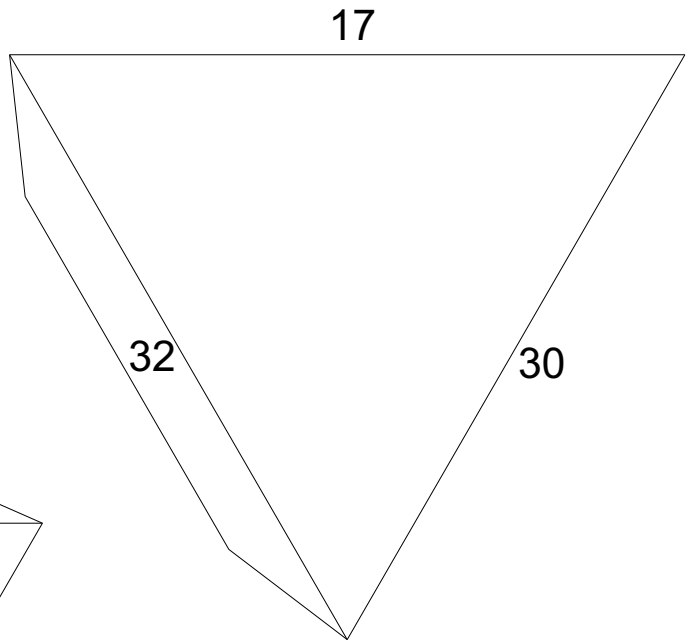
Color 3



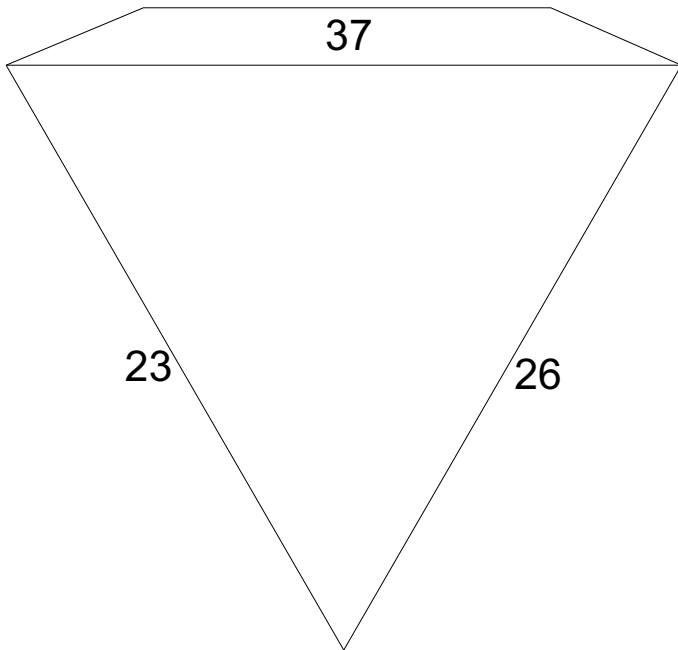
Part 24



Part 31



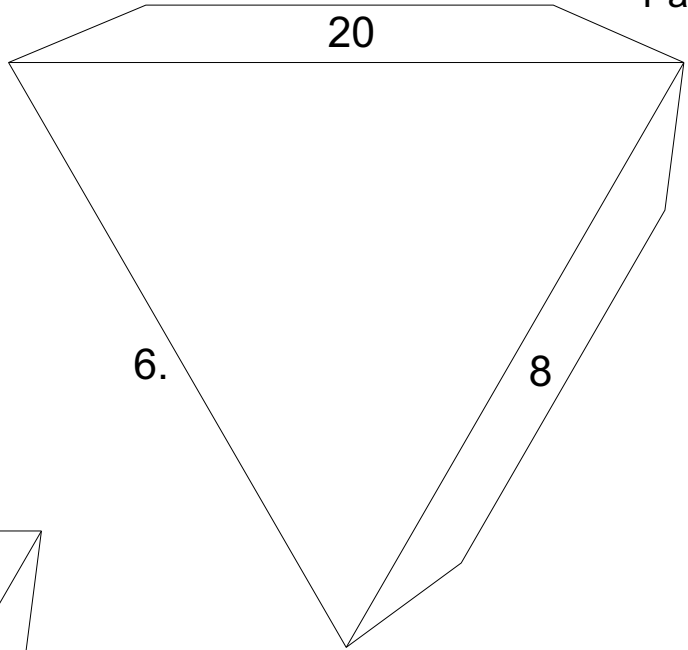
Part 36



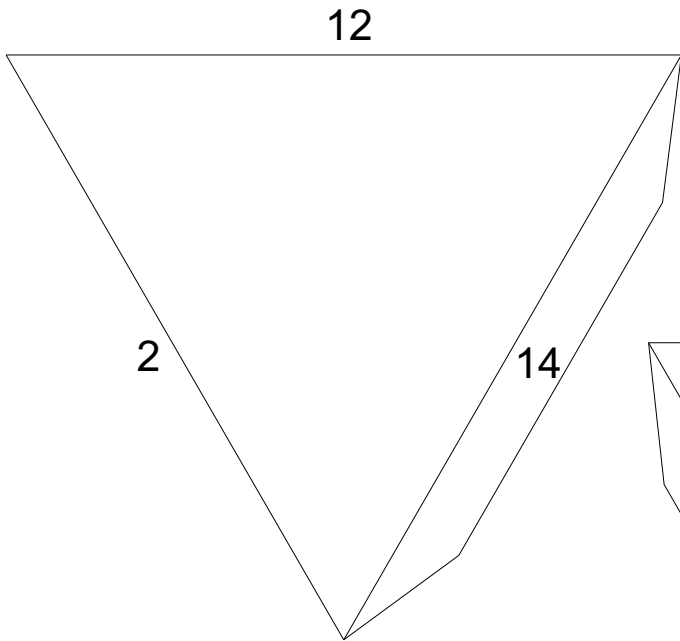
Snub Cube (left-handed)

Color 4

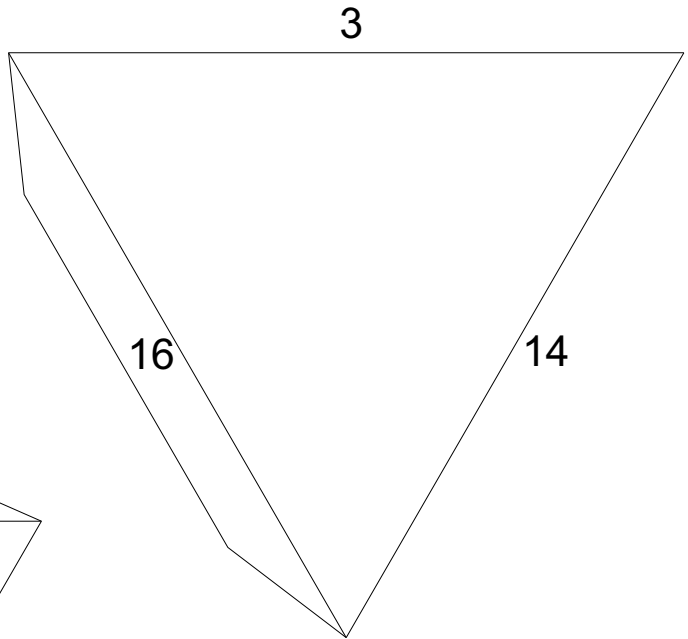
Part 7



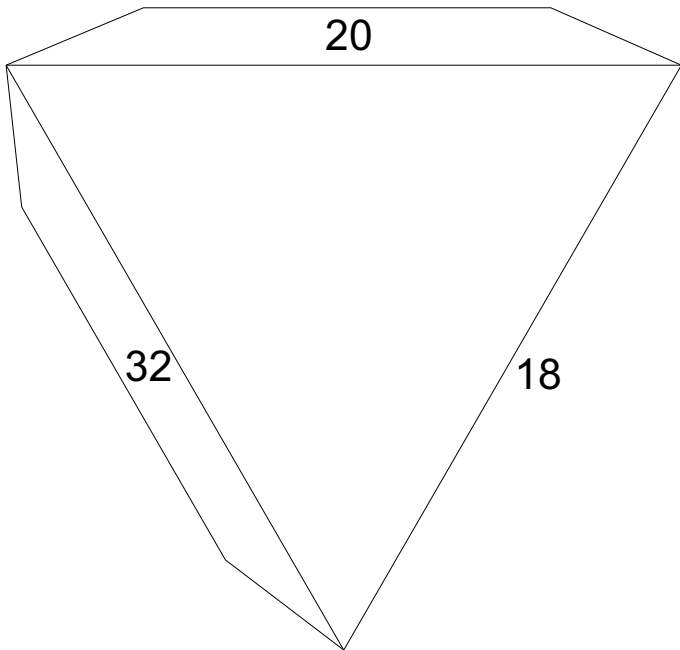
Part 13



Part 15



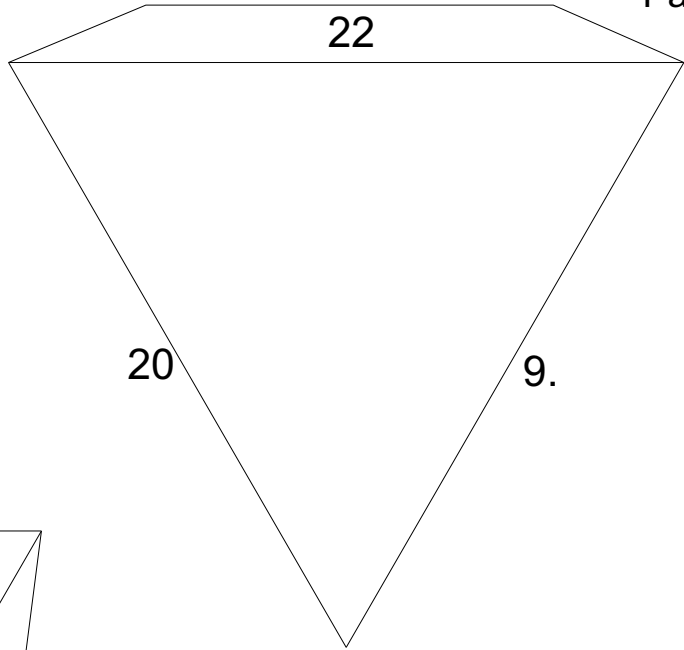
Part 19



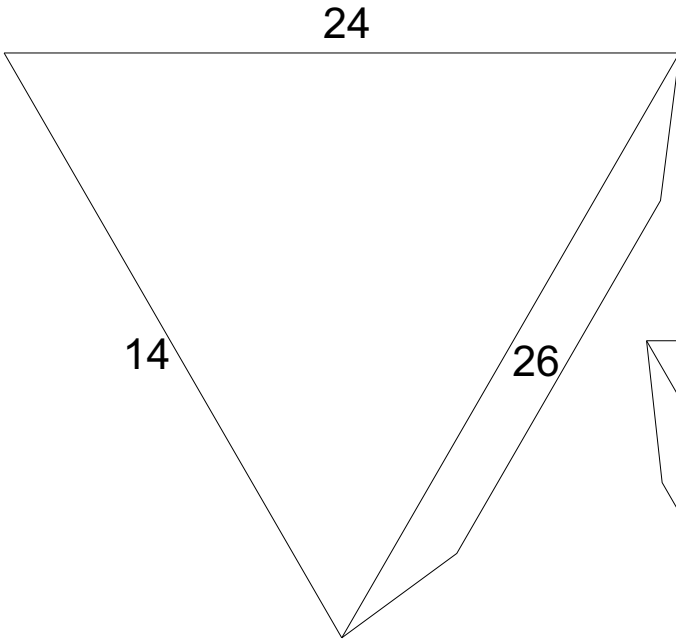
Snub Cube (left-handed)

Part 21

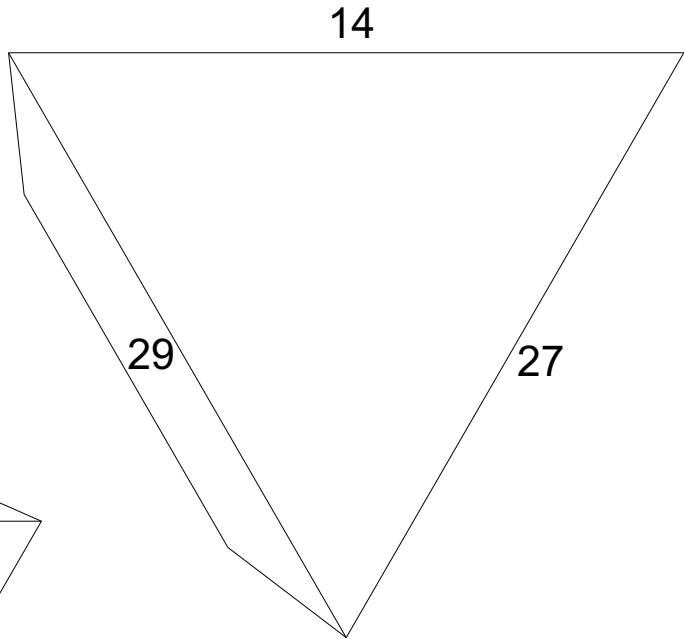
Color 4



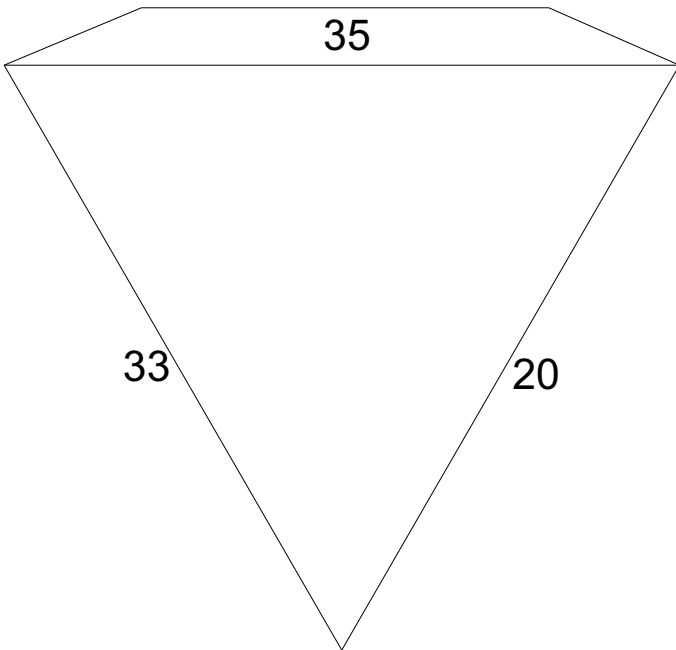
Part 25



Part 28



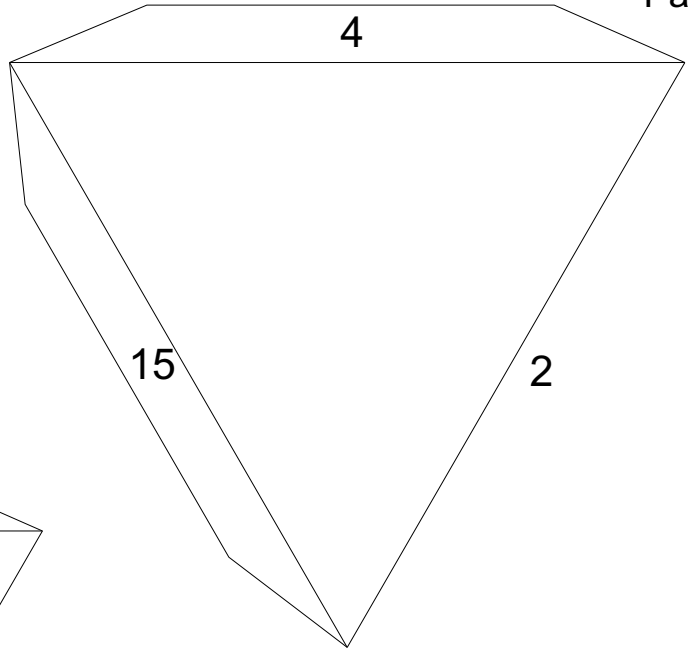
Part 34



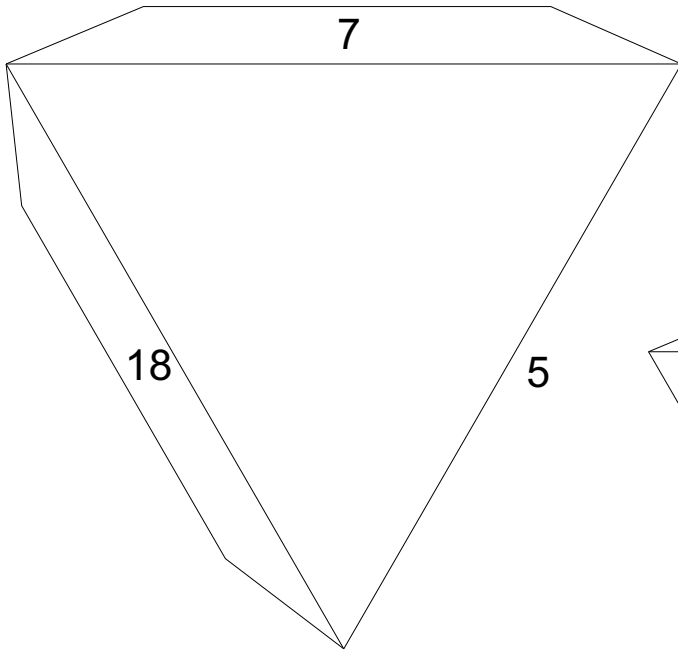
Snub Cube (left-handed)

Part 3

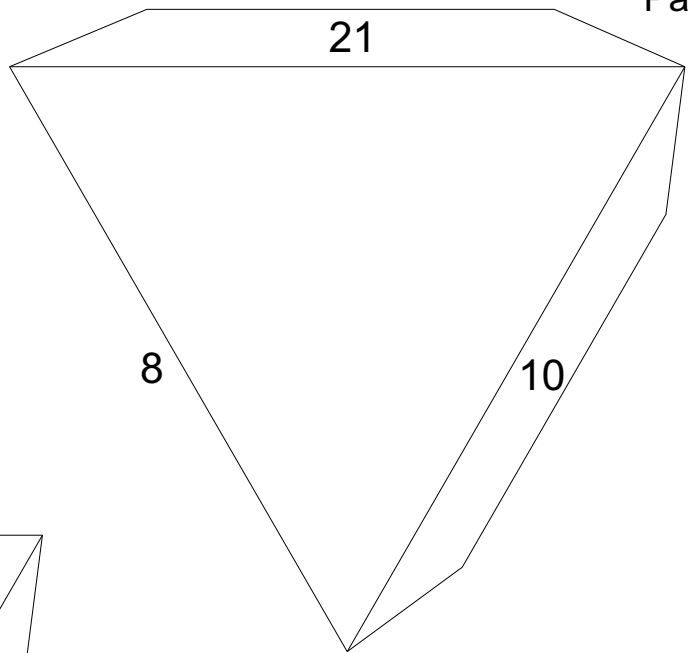
Color 5



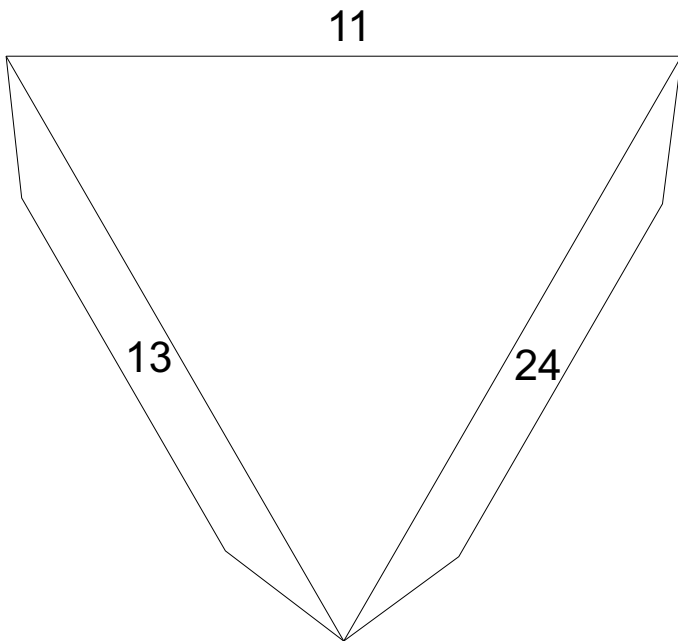
Part 6.



Part 9.



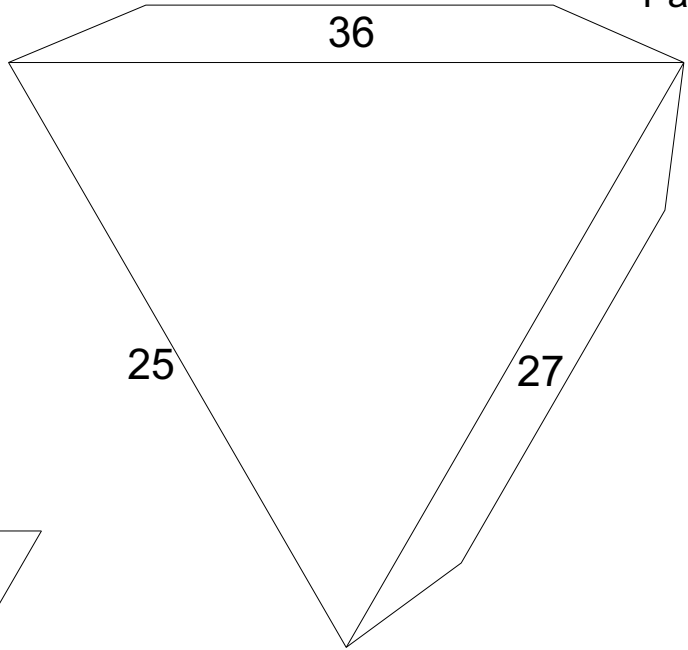
Part 12



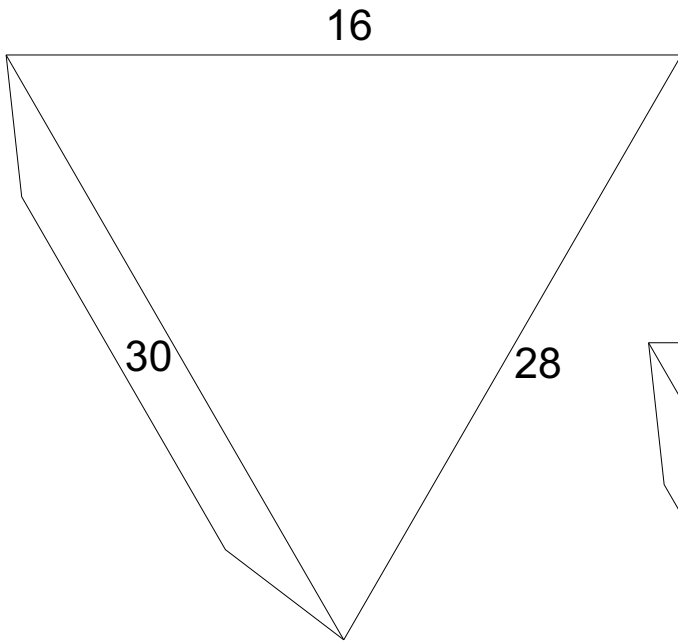
Snub Cube (left-handed)

Part 26

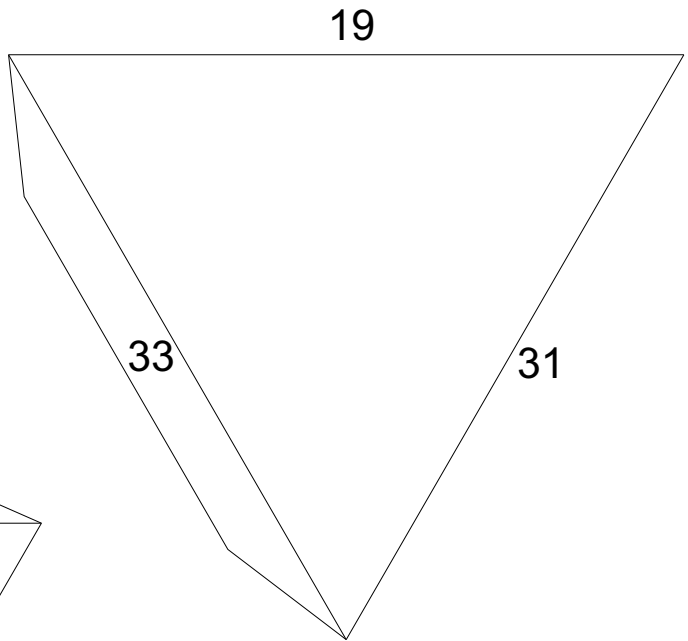
Color 5



Part 29



Part 32



Part 35

