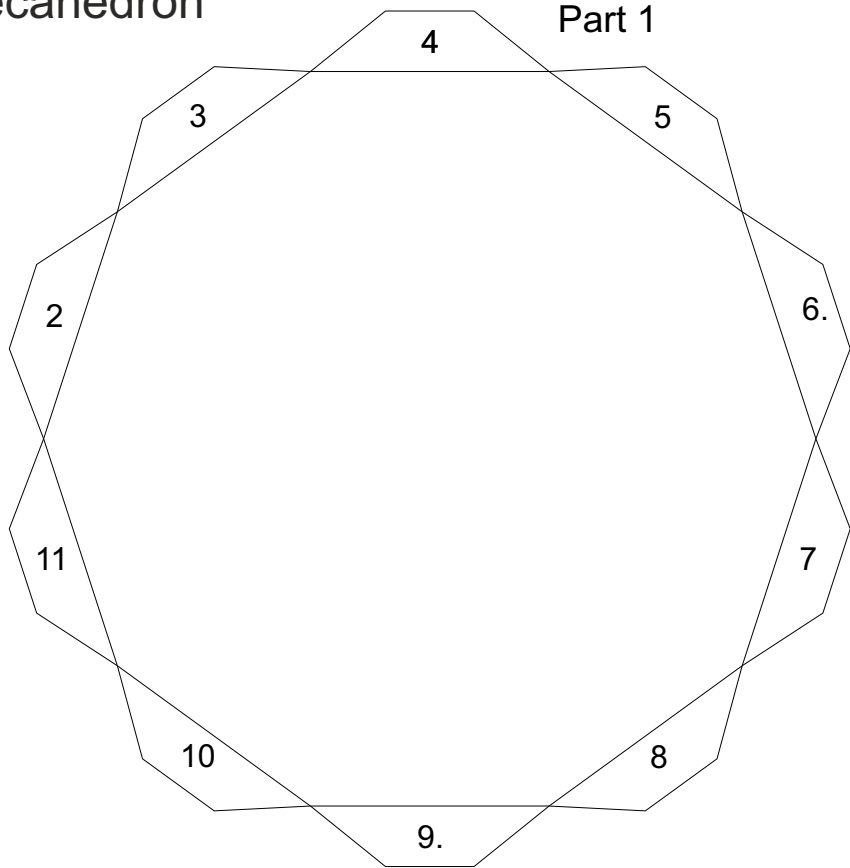


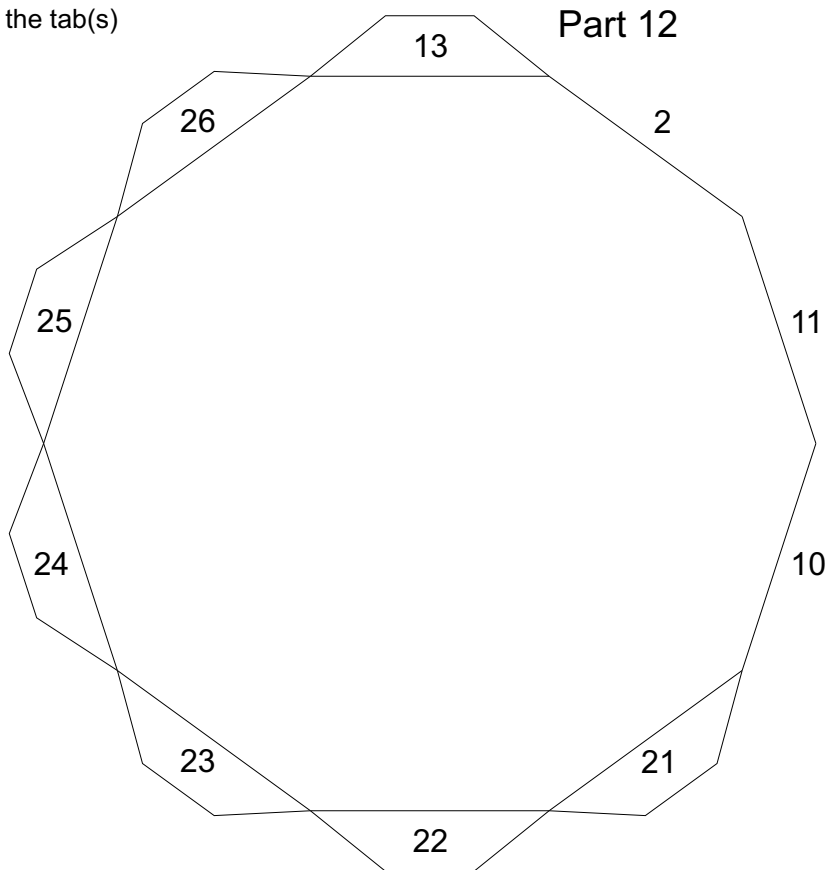
Truncated Icosidodecahedron

Print the model on three
different colored papers
Color 1: 6 pages
Color 2: 3 pages
Color 3: 4 pages

Color 1

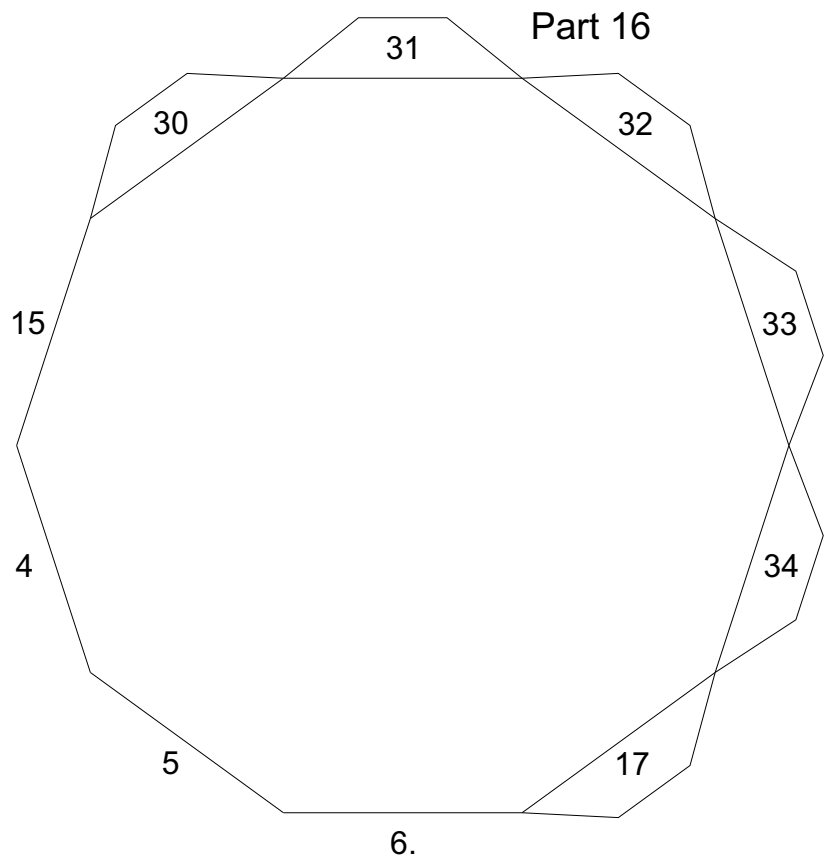
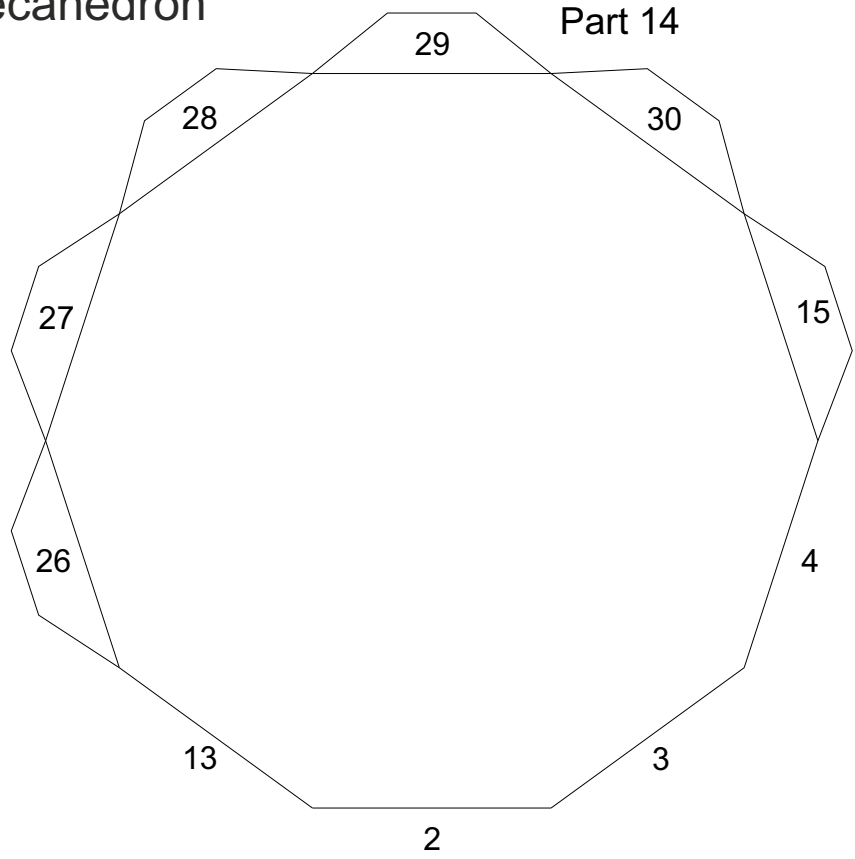


1. Start with part 1 and glue part 2 on the tab of part 1 with the number 2.
 2. Glue part 3 on the parts 1 and 2 on the tab(s) with the number 3.
 3. Glue part 4 on the parts 1, 2 and 3 on the tab(s) with the number 4.
- Etc.



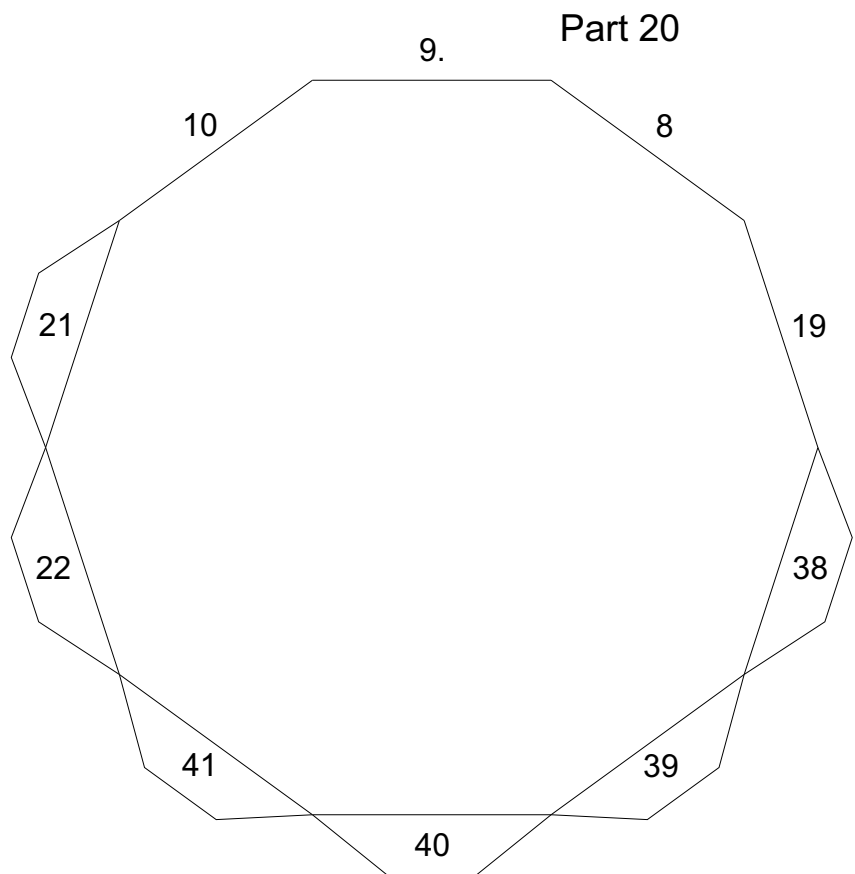
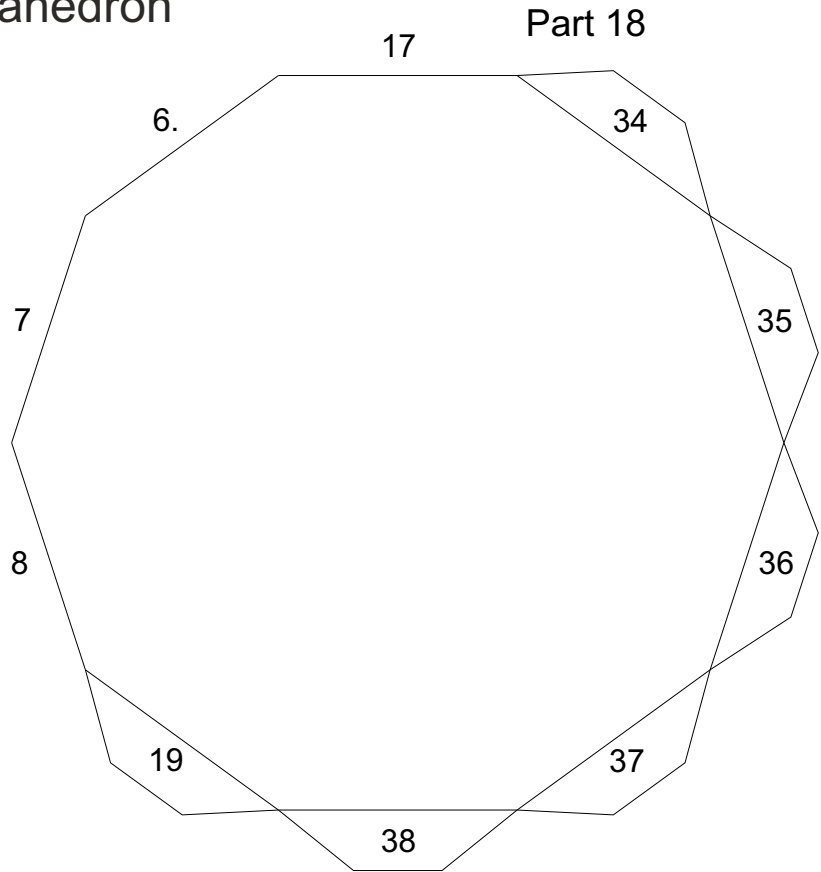
Truncated Icosidodecahedron

Color 1



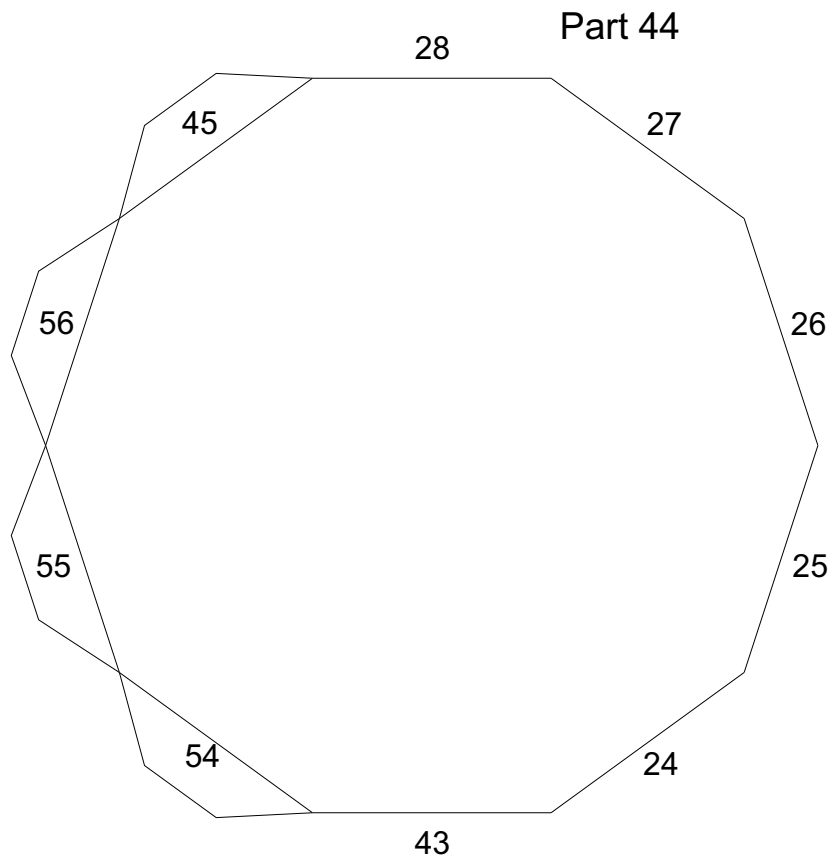
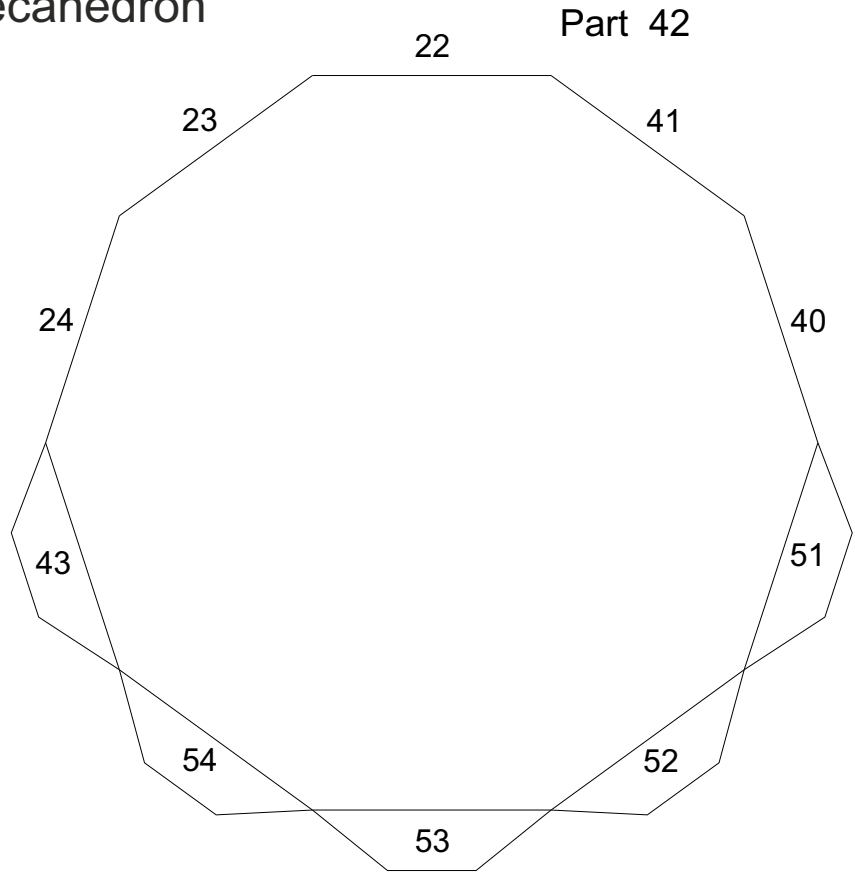
Truncated Icosidodecahedron

Color 1



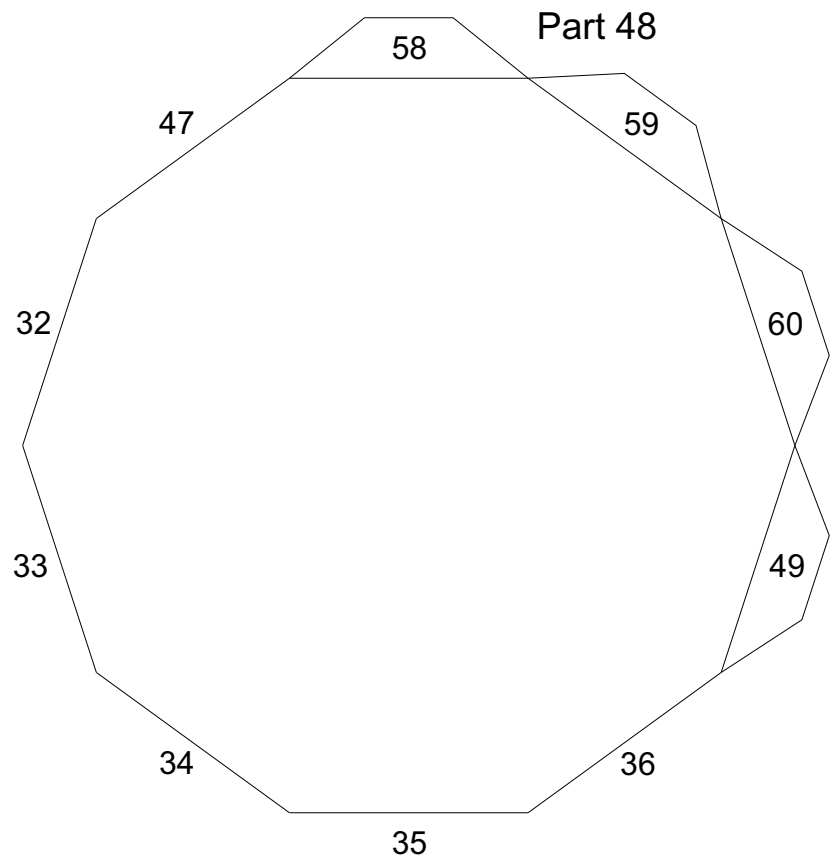
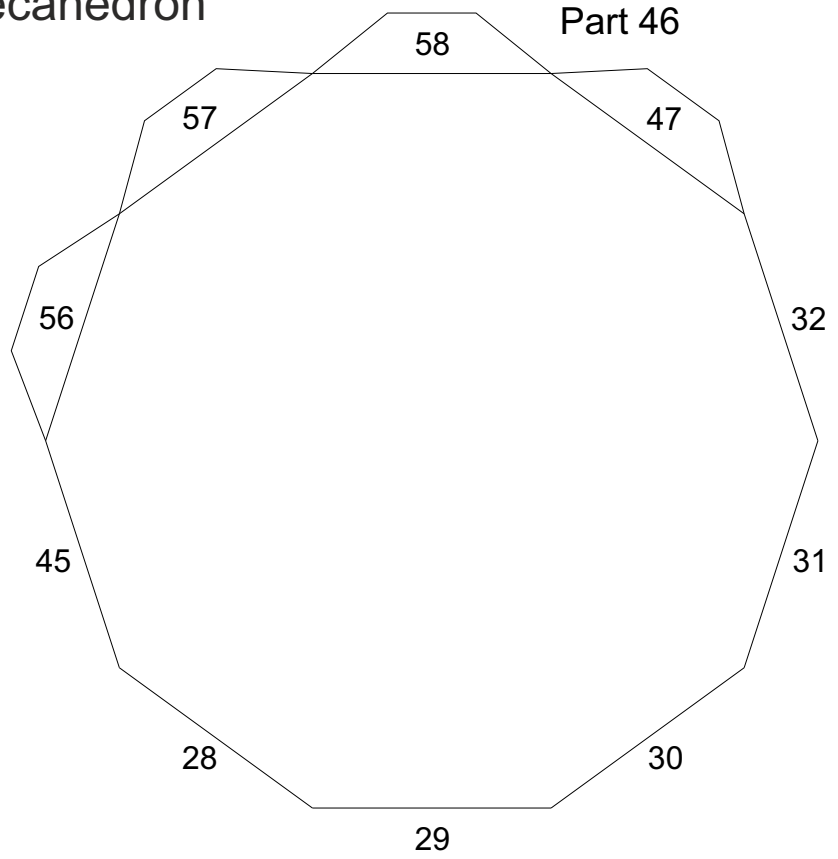
Truncated Icosidodecahedron

Color 1



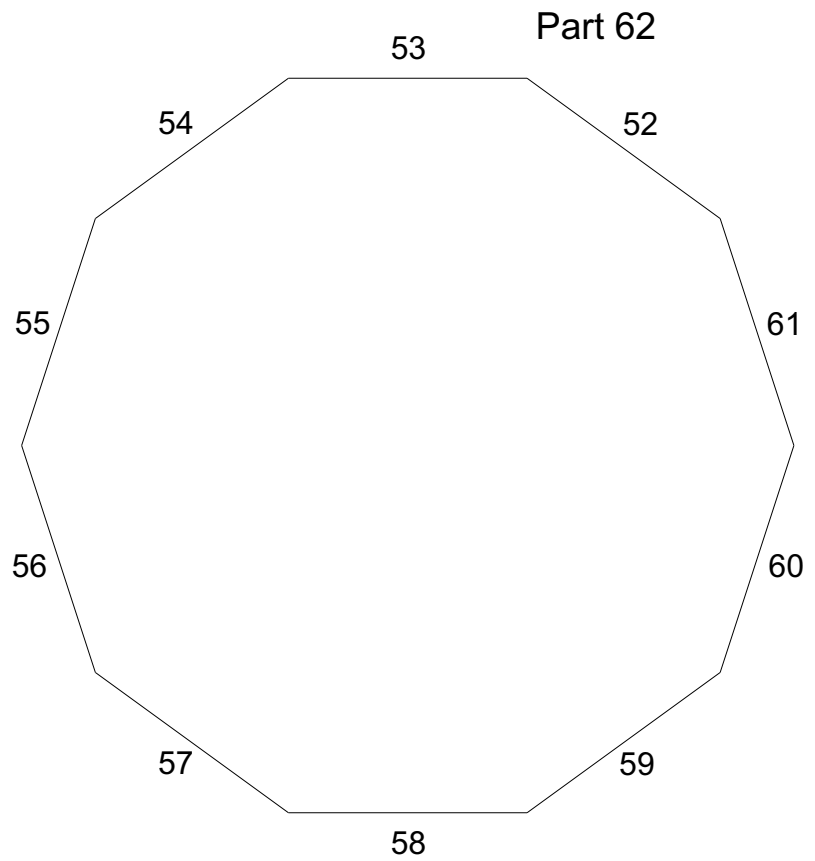
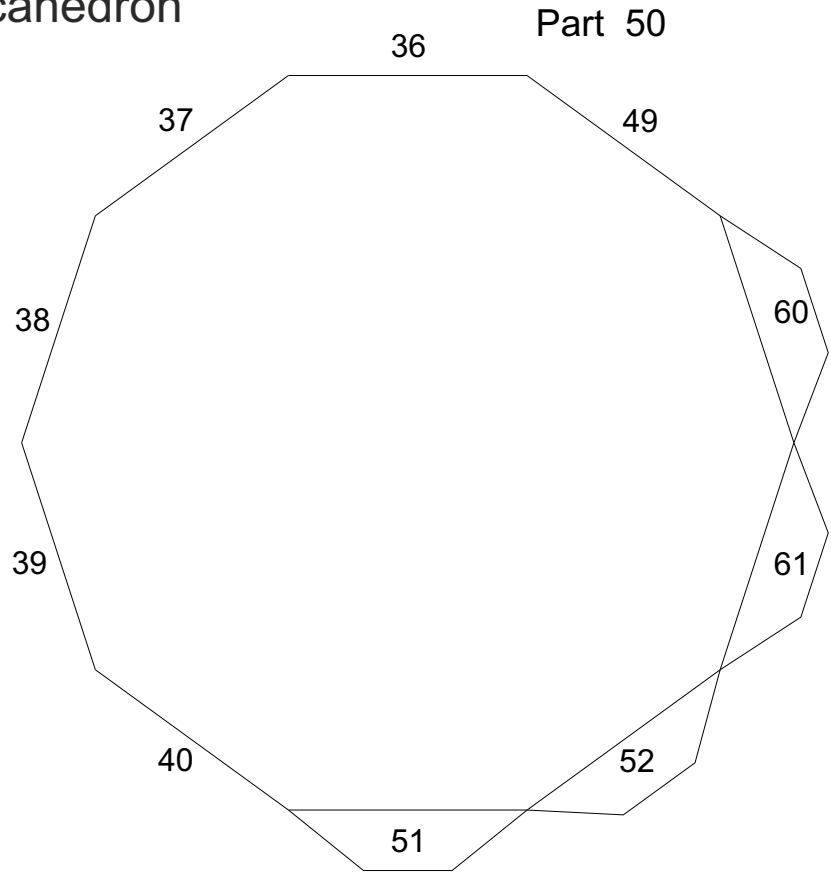
Truncated Icosidodecahedron

Color 1

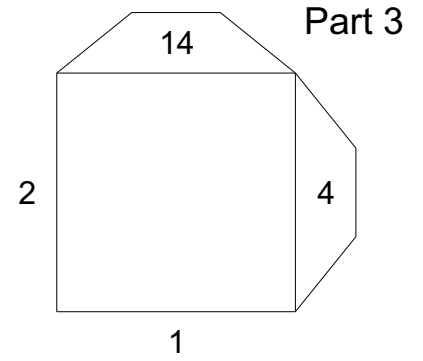


Truncated Icosidodecahedron

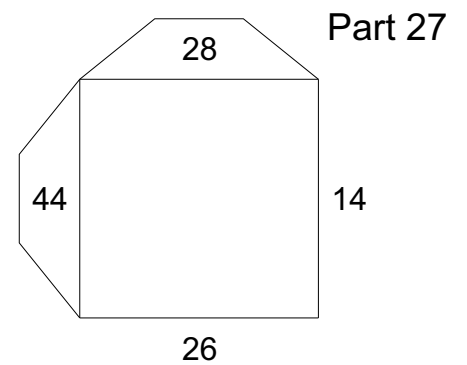
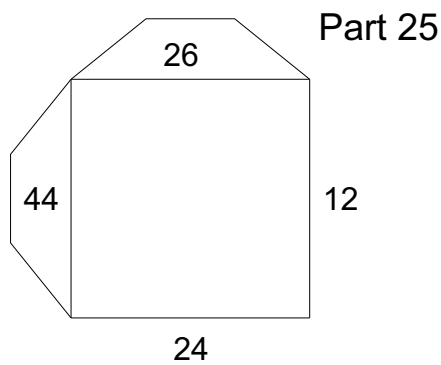
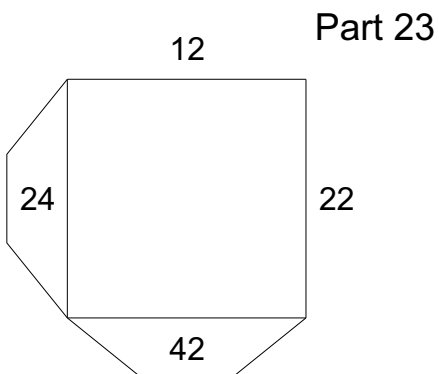
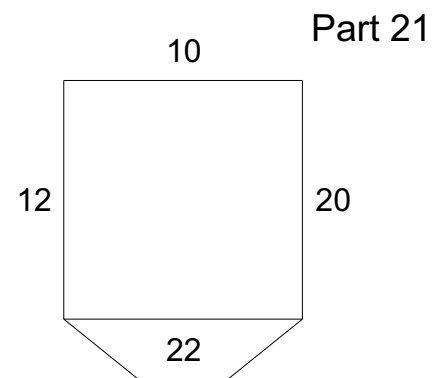
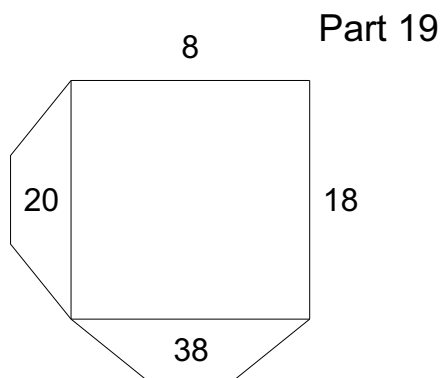
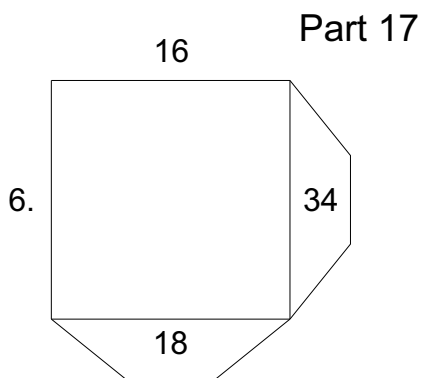
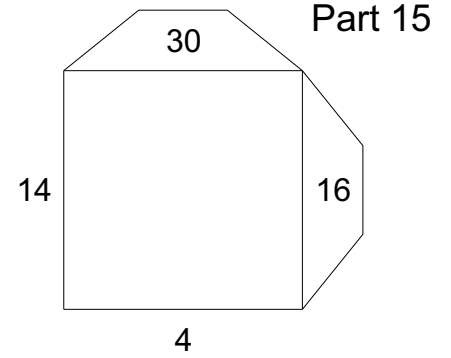
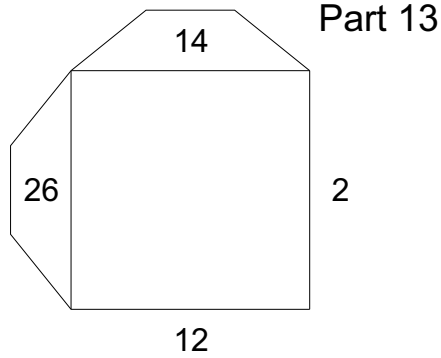
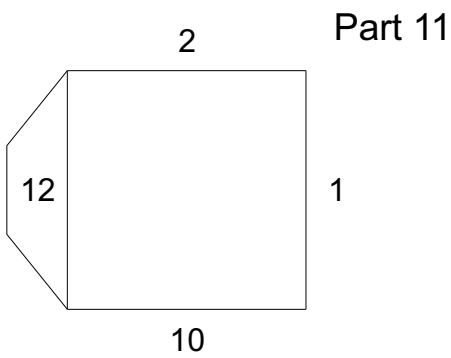
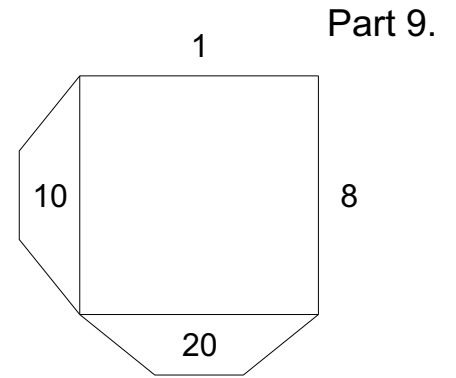
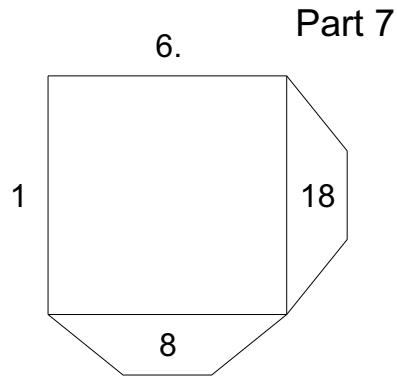
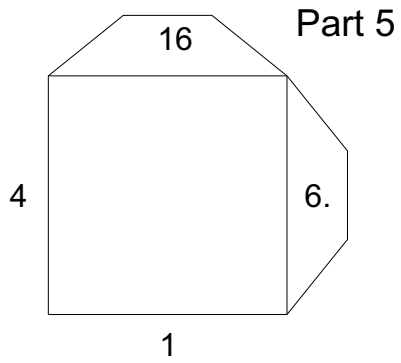
Color 1



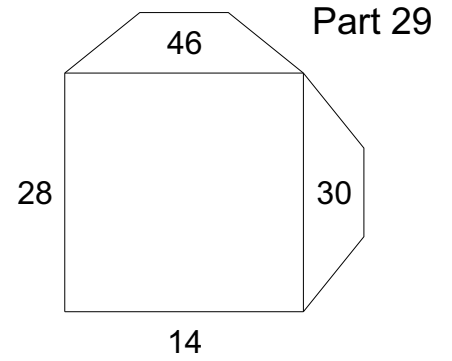
Truncated Icosidodecahedron



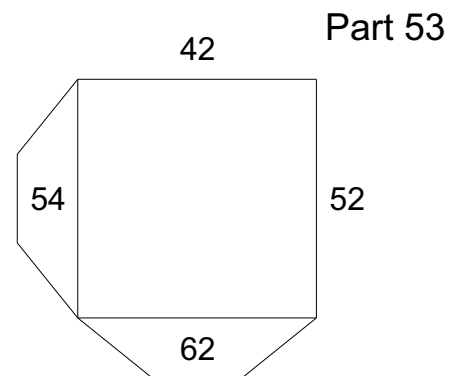
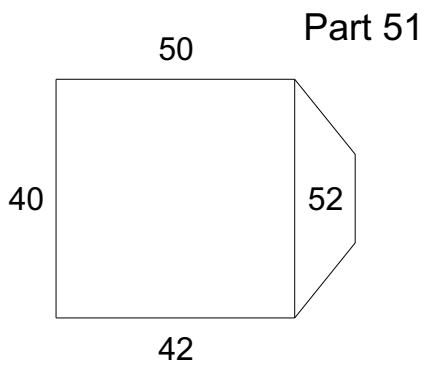
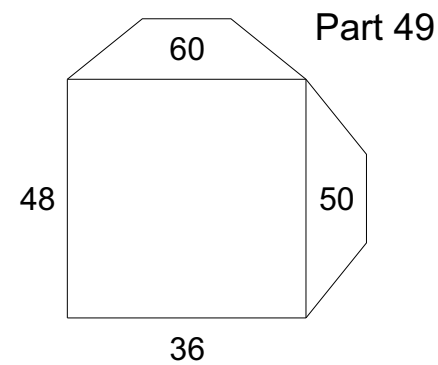
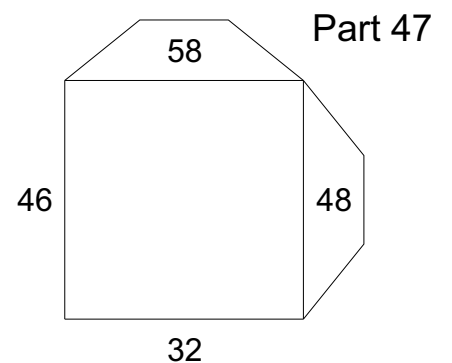
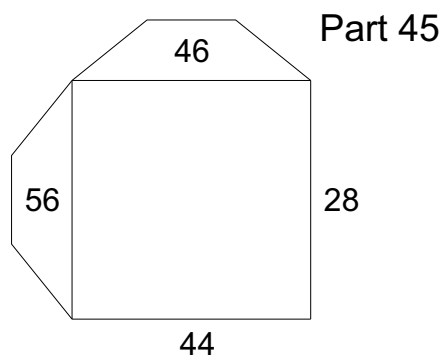
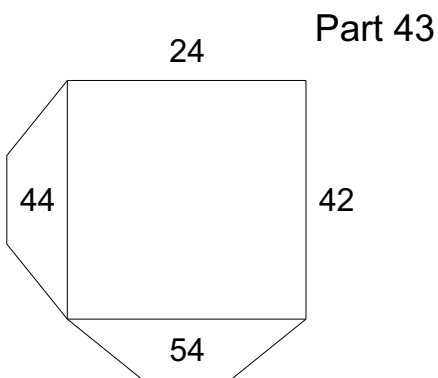
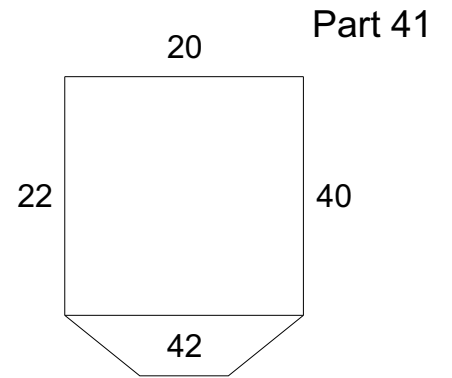
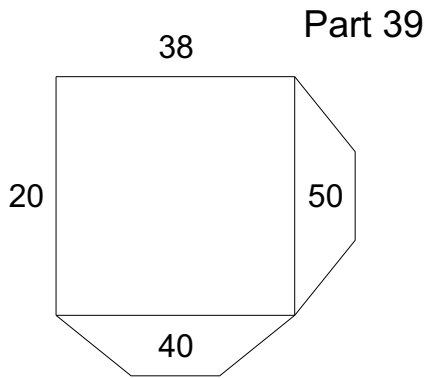
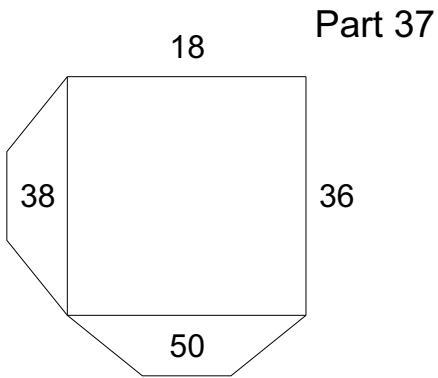
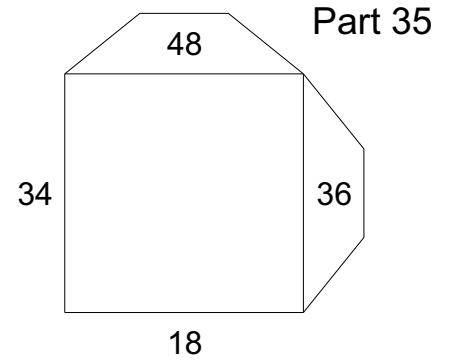
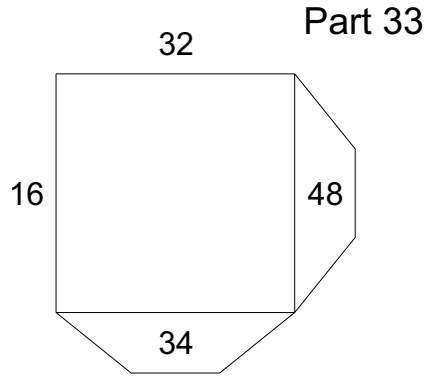
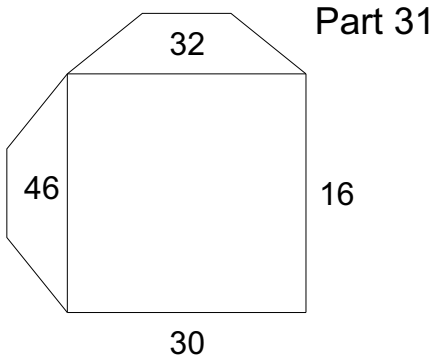
Color 2



Truncated Icosidodecahedron

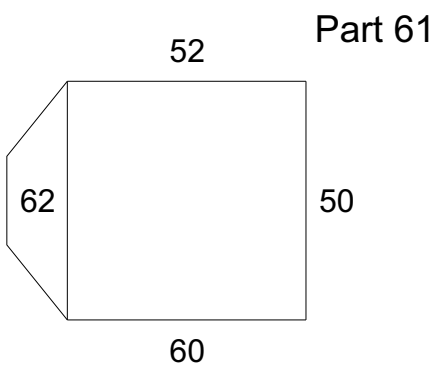
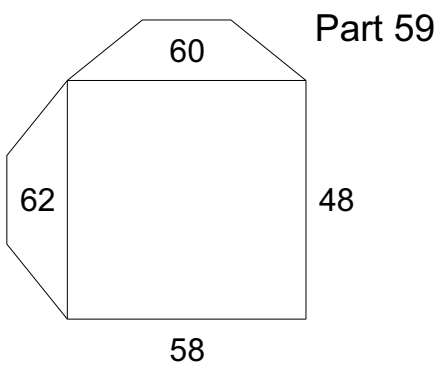
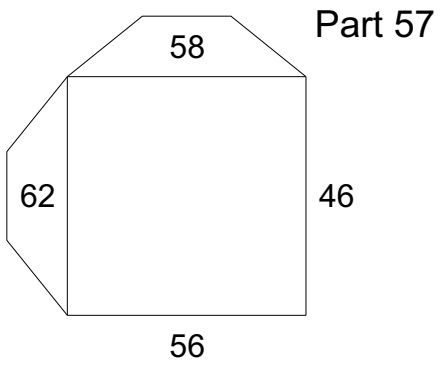
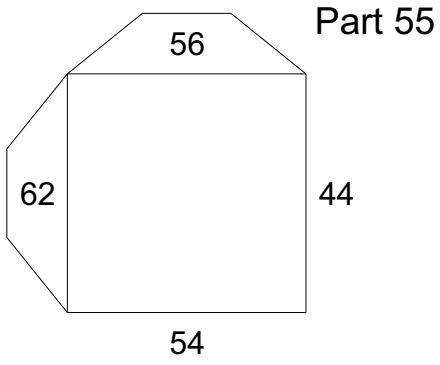


Color 2



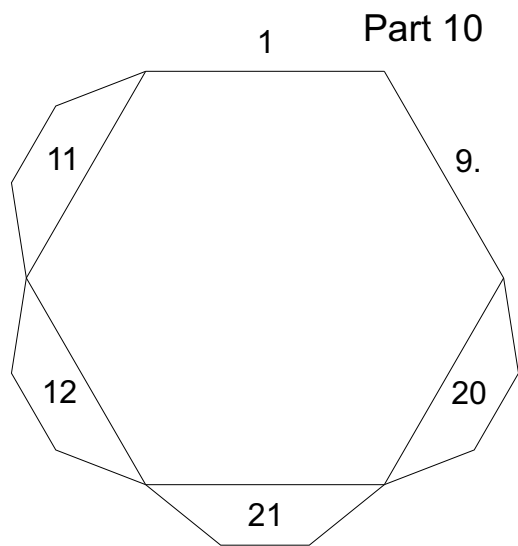
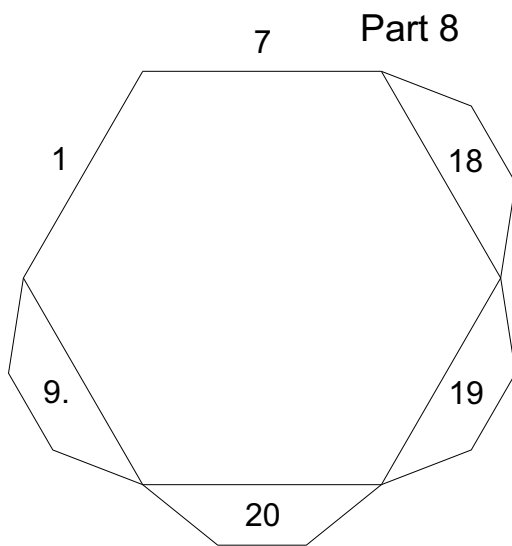
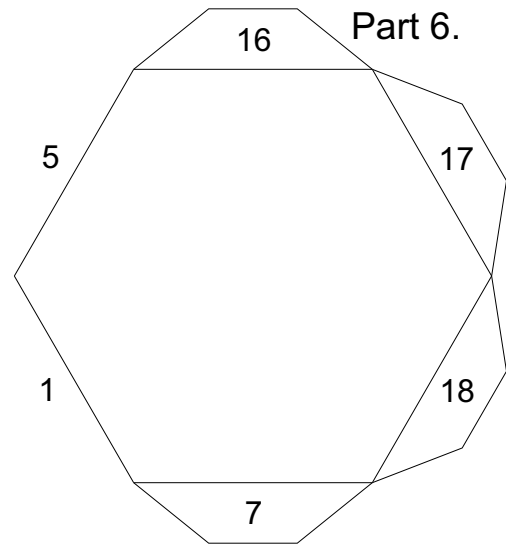
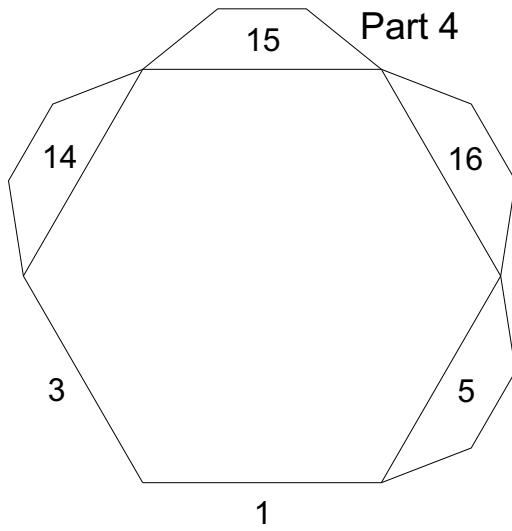
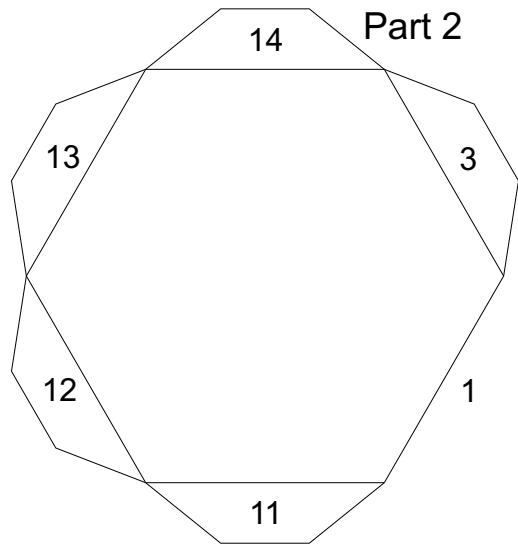
Truncated Icosidodecahedron

Color 2



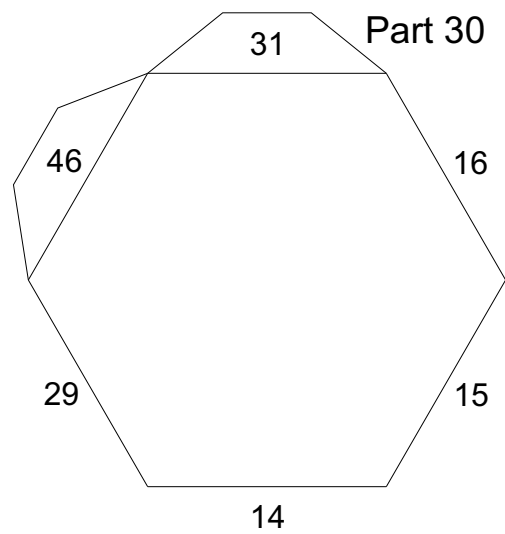
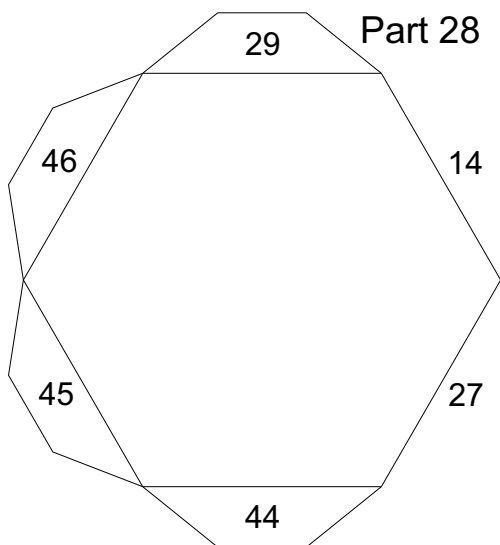
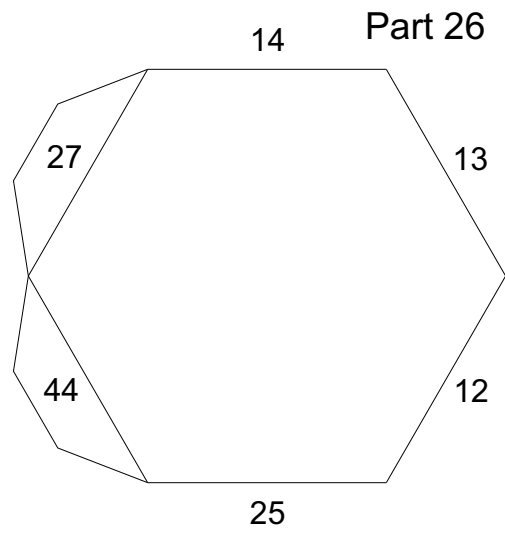
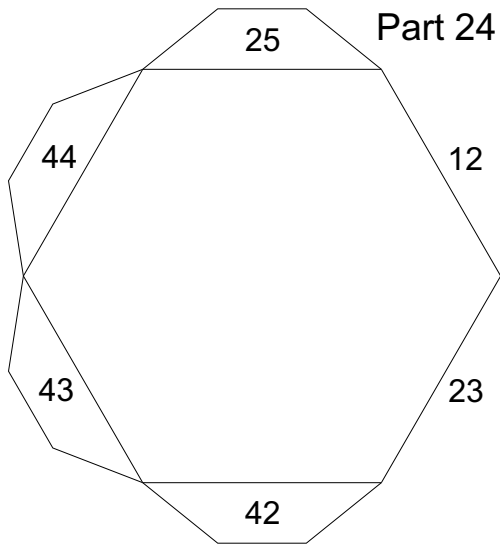
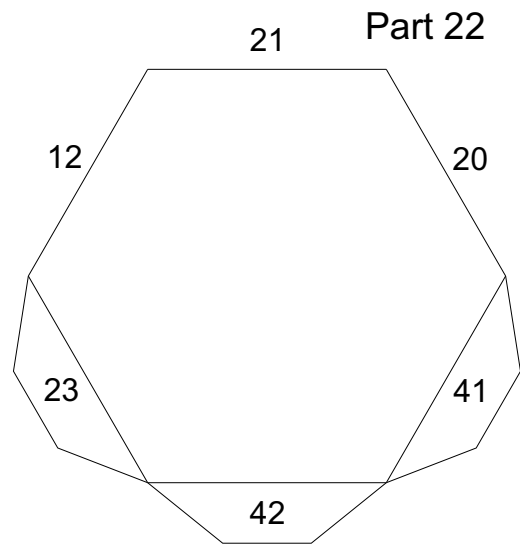
Truncated Icosidodecahedron

Color 3



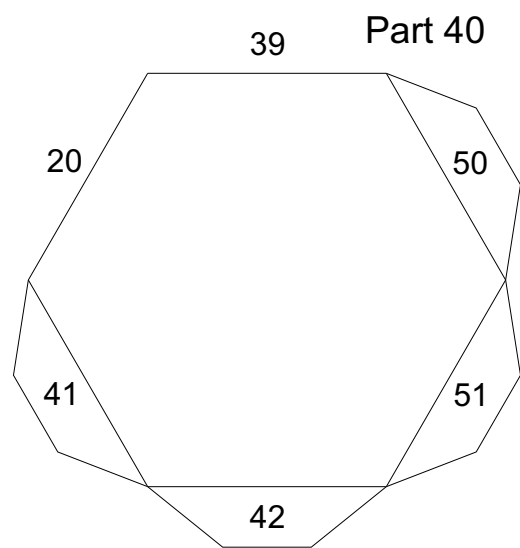
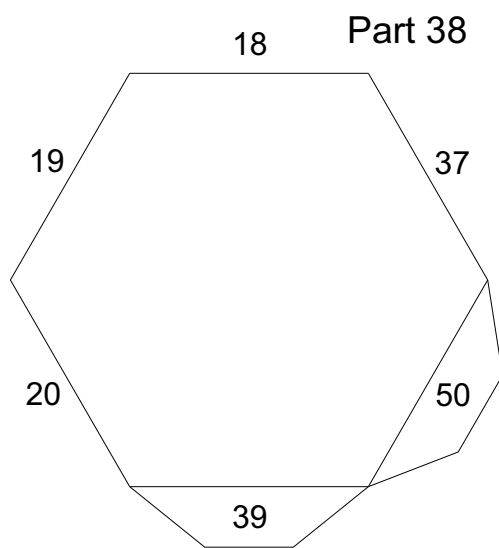
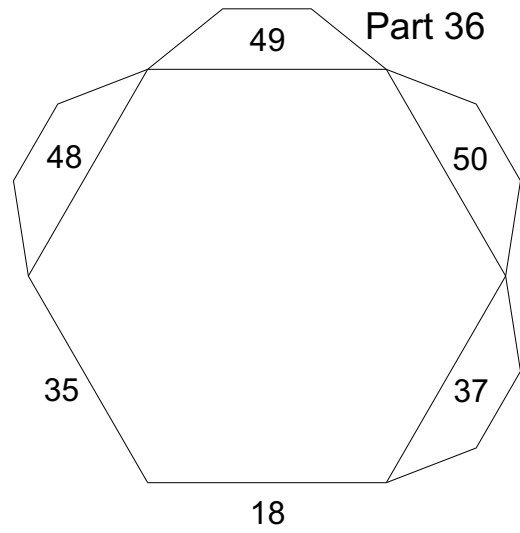
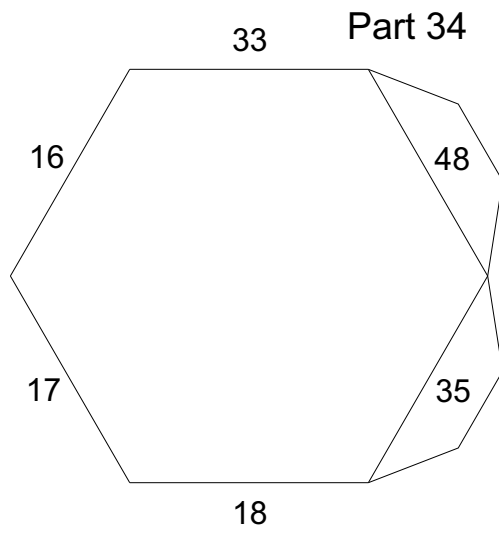
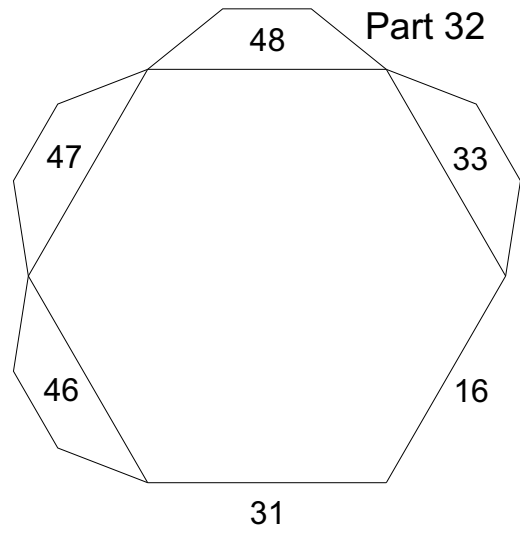
Truncated Icosidodecahedron

Color 3



Truncated Icosidodecahedron

Color 3



Truncated Icosidodecahedron

Color 3

