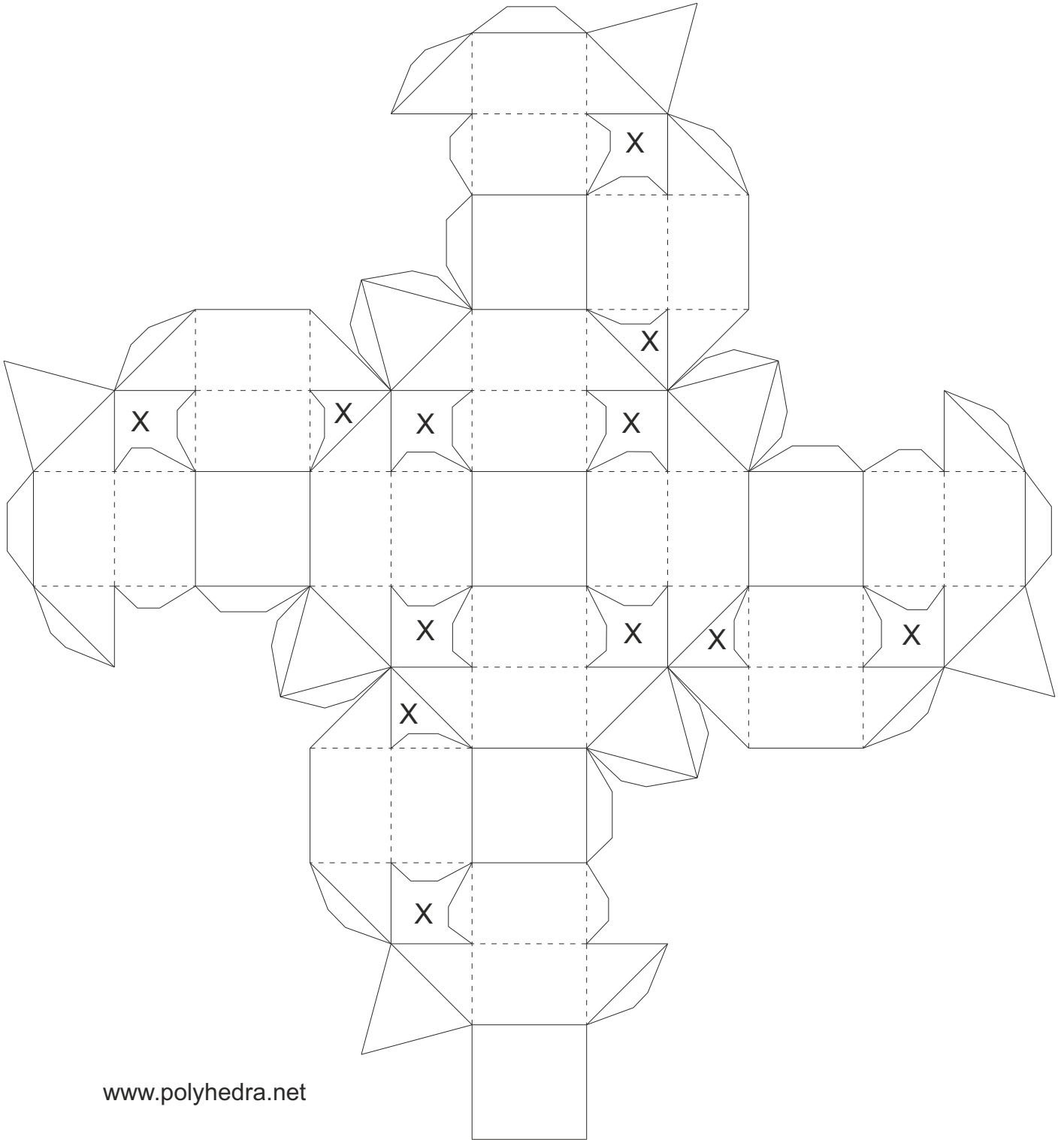


Small Cubicuboctahedron

(small version)

Fold the dotted lines forwards

Fold the other lines backwards



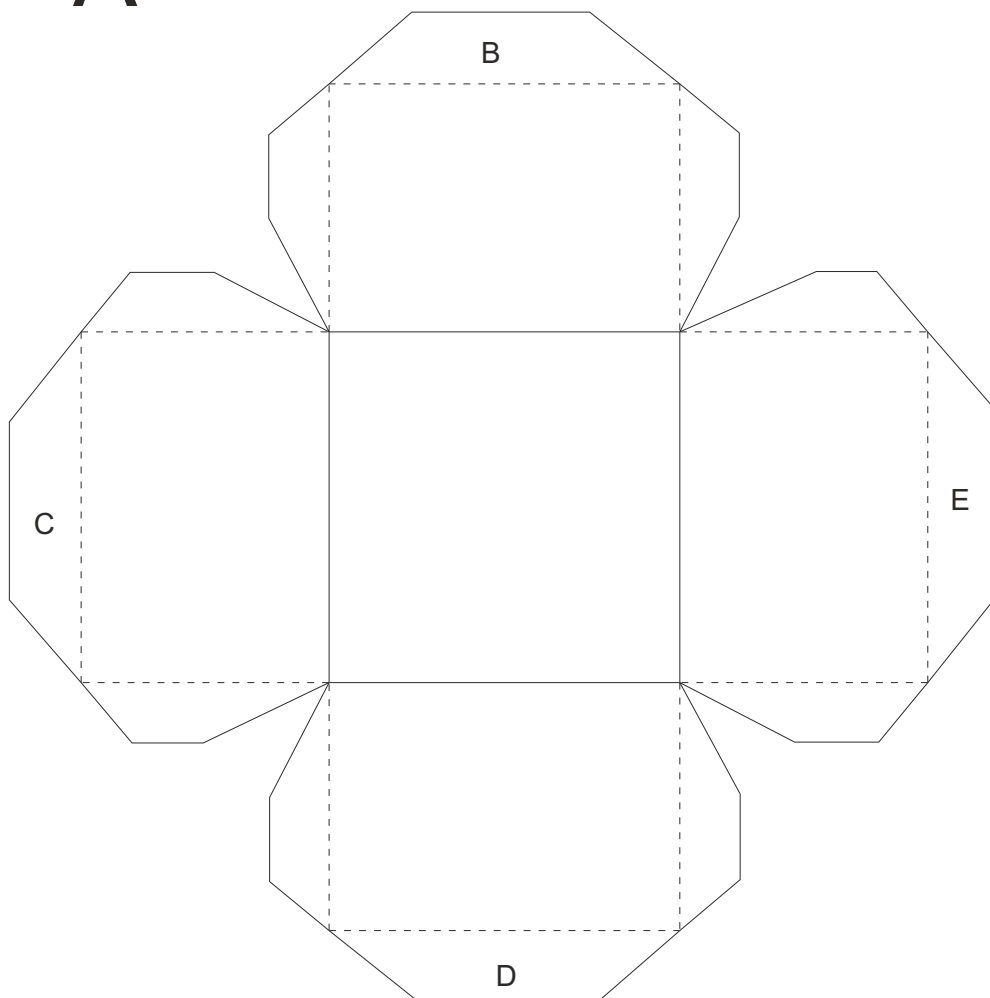
Small Cubicuboctahedron

(large version)

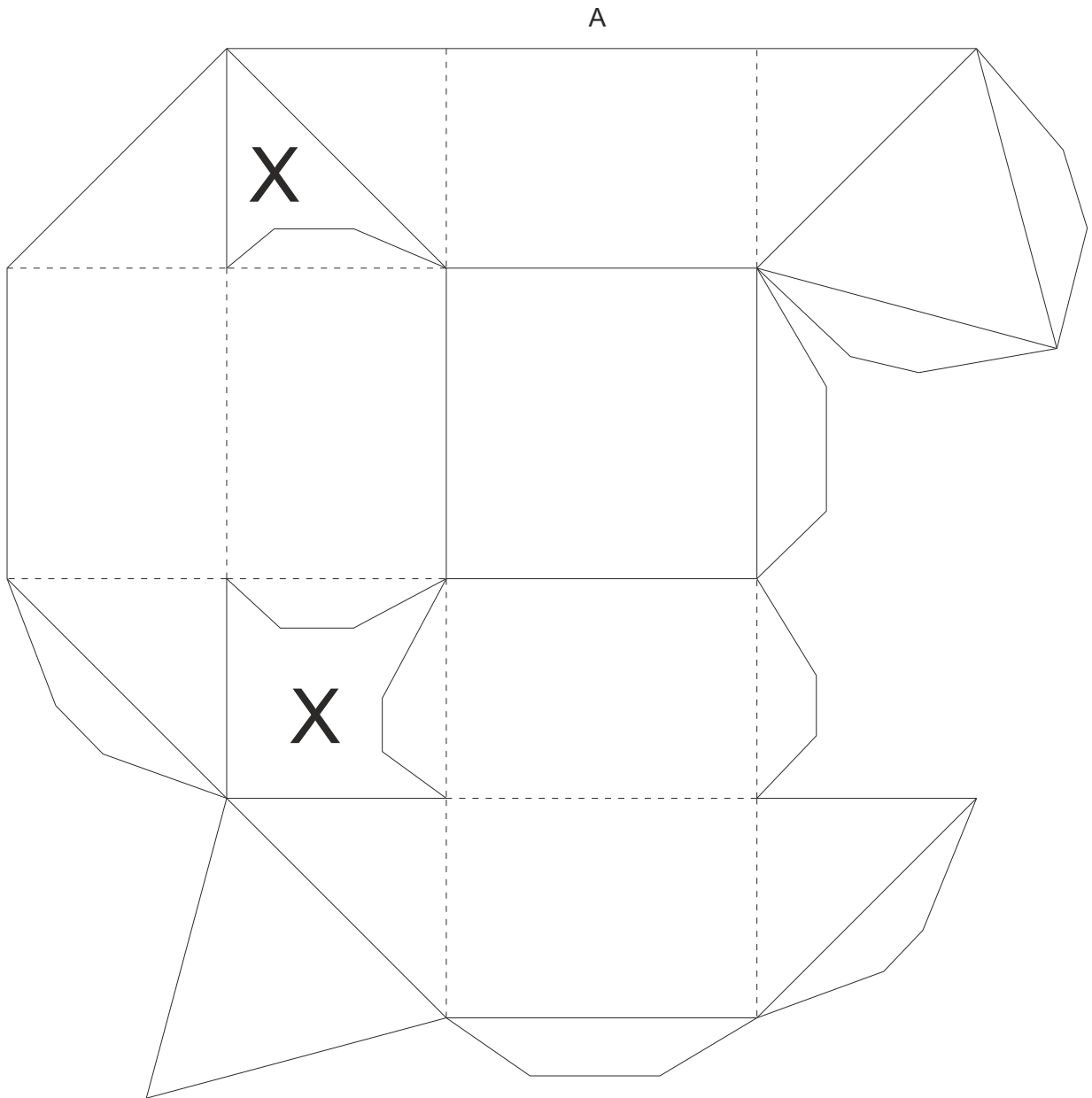
Fold the dotted lines forwards

Fold the other lines backwards

A

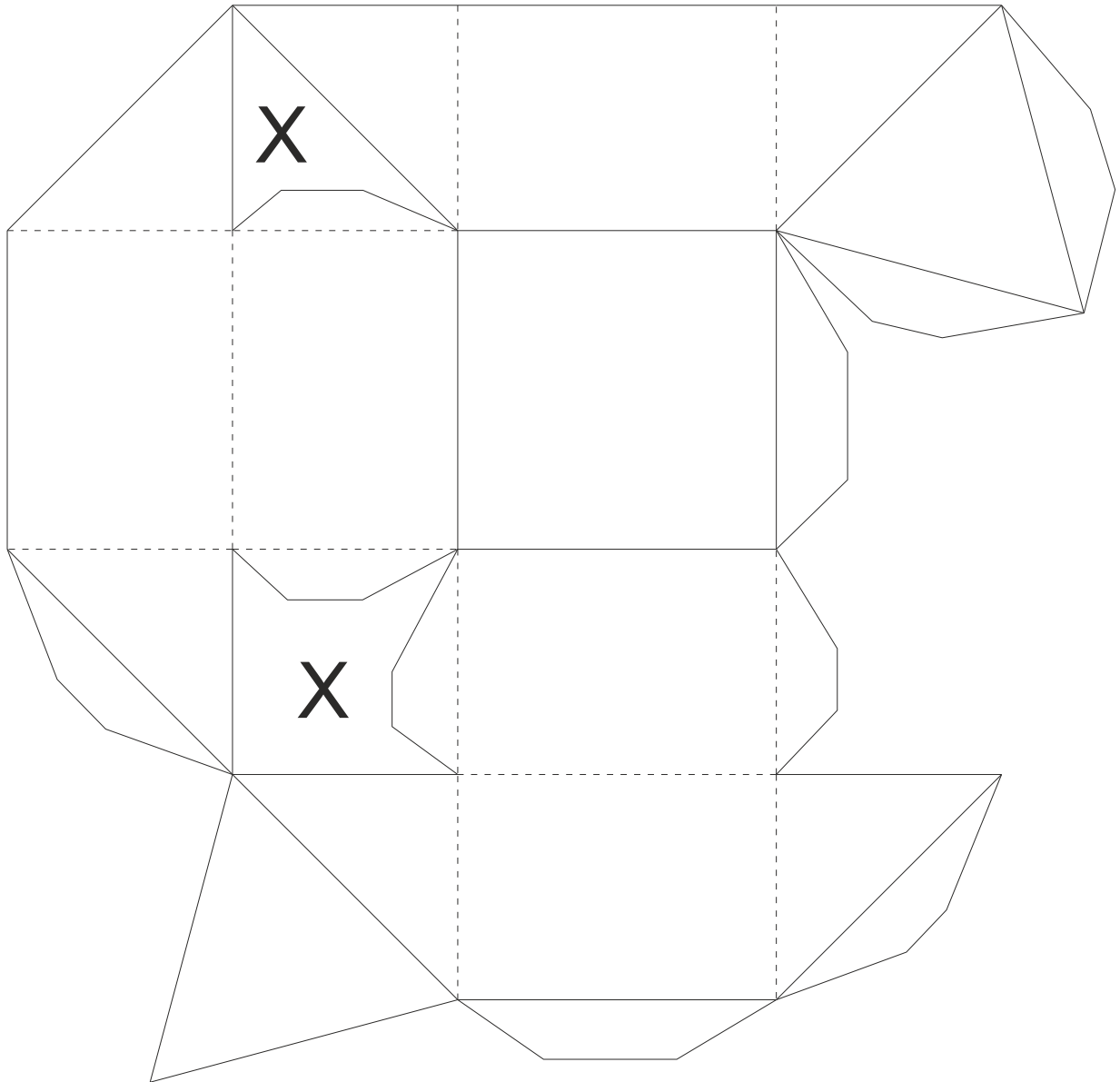


B

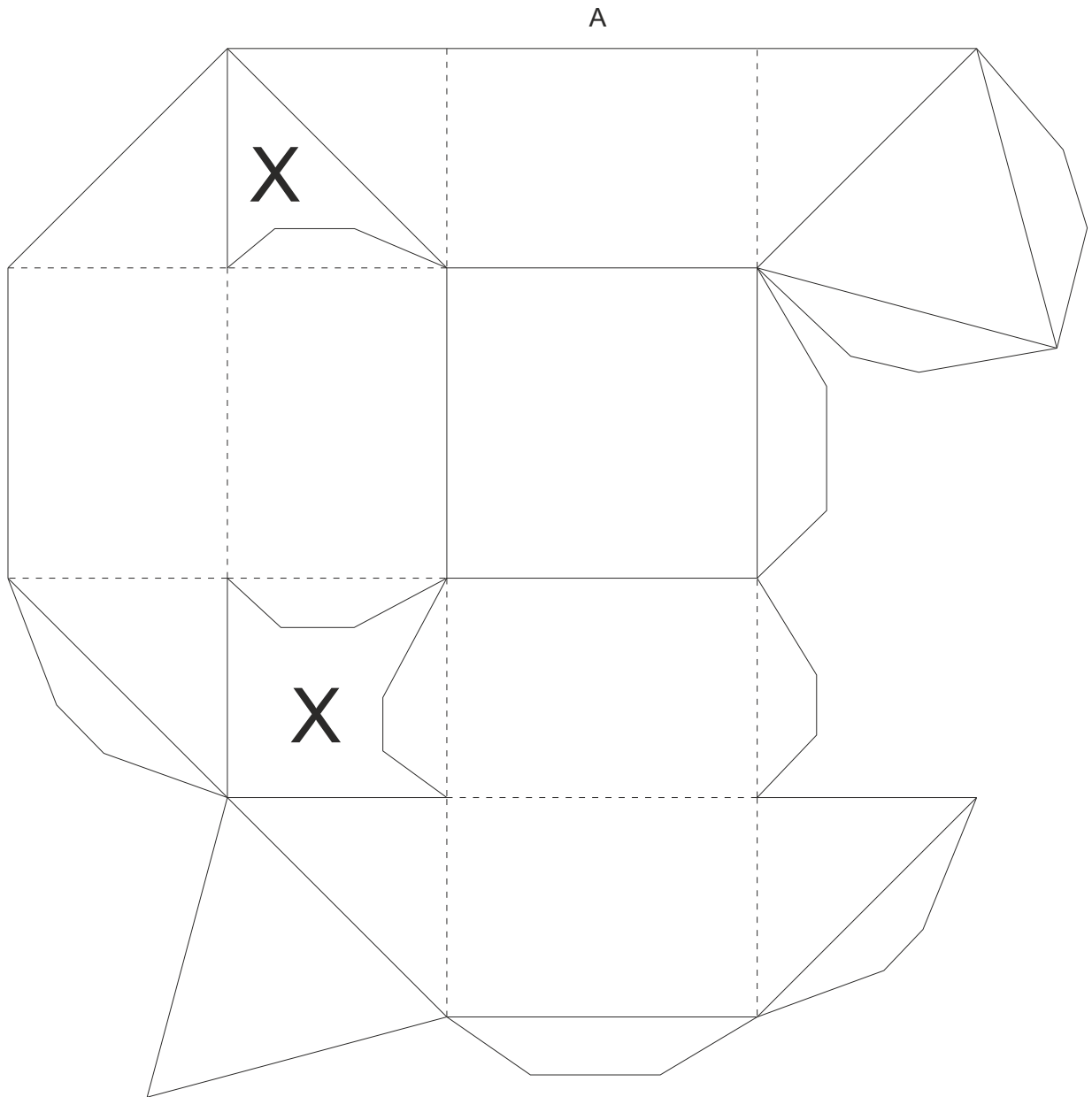


C

A



D



E

A

