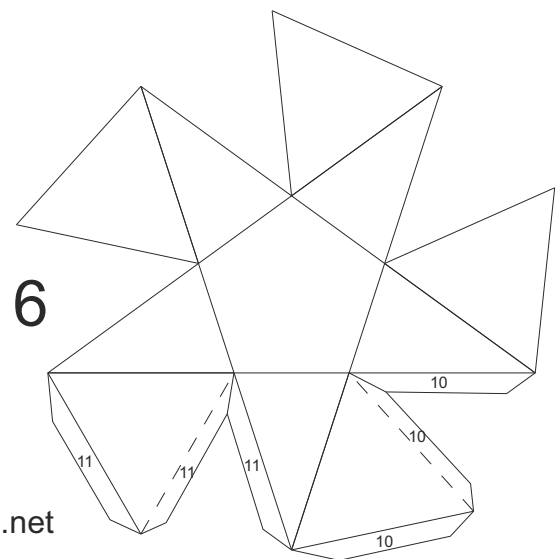
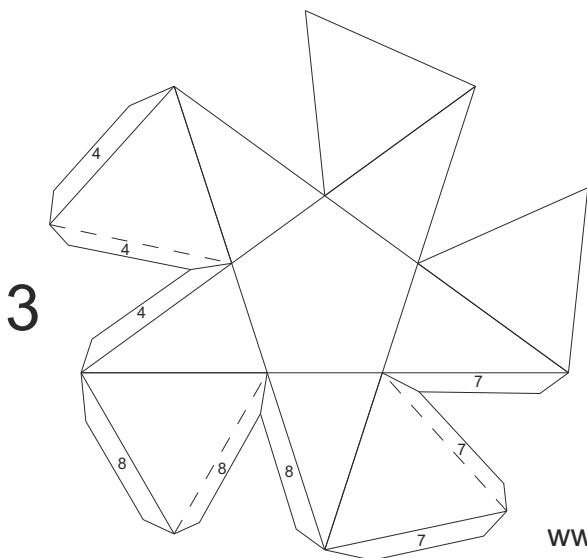
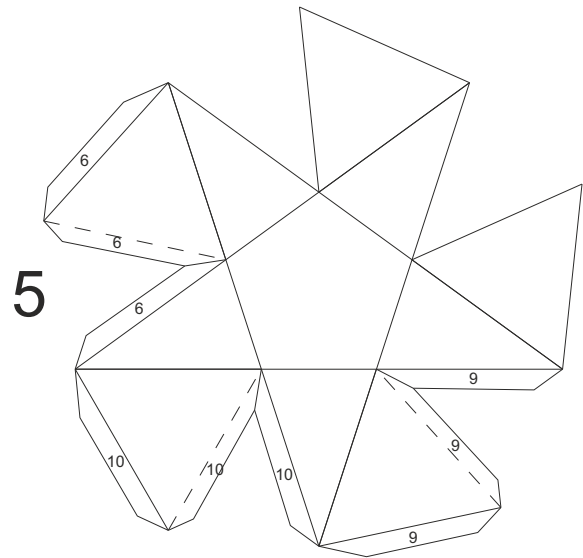
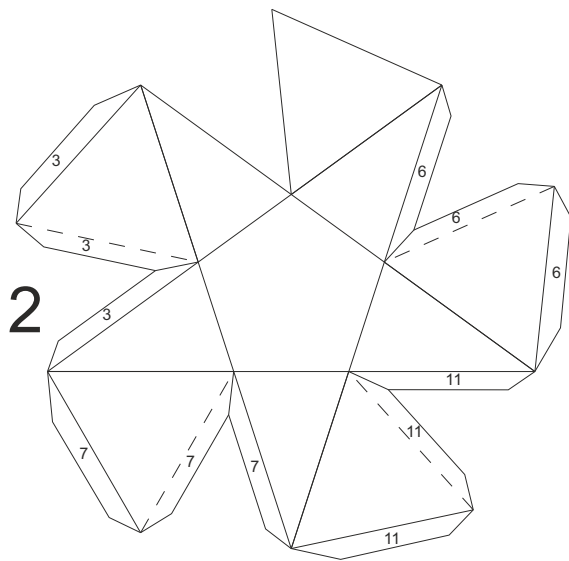
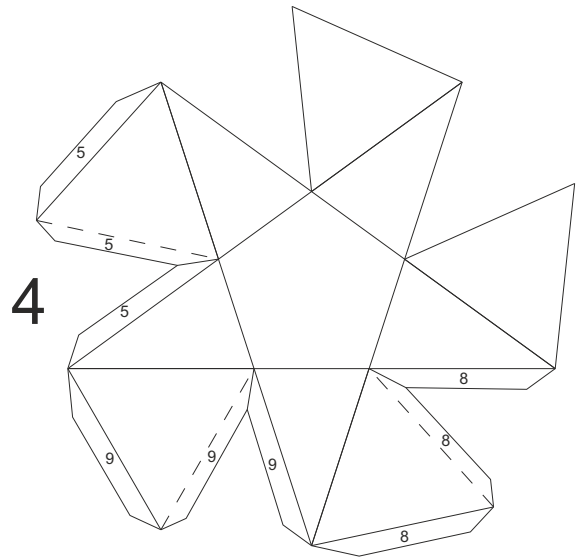
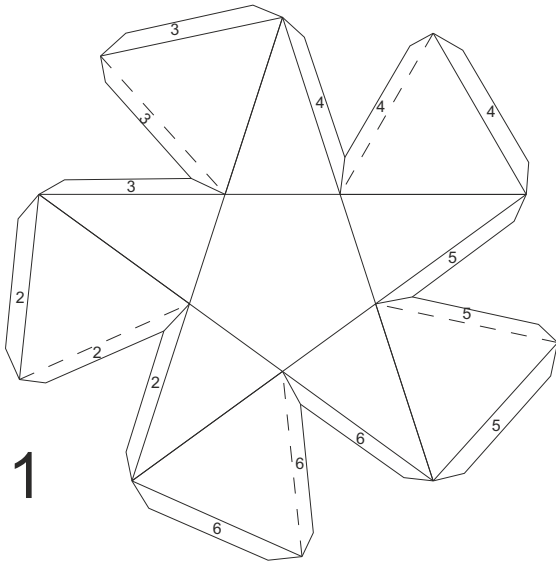
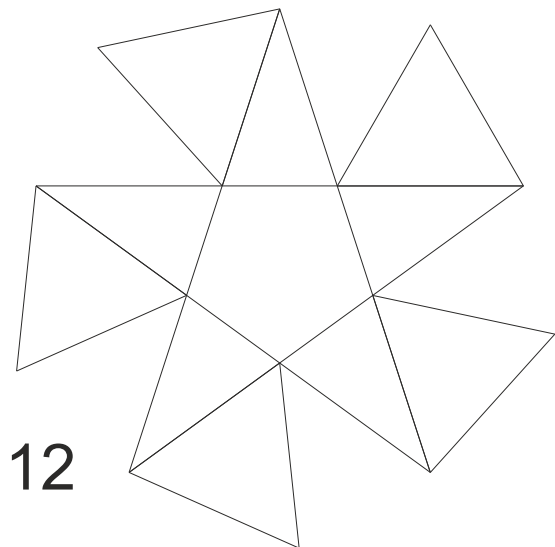
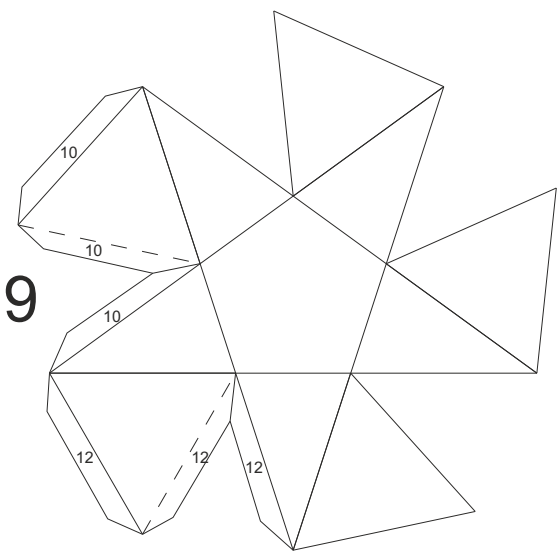
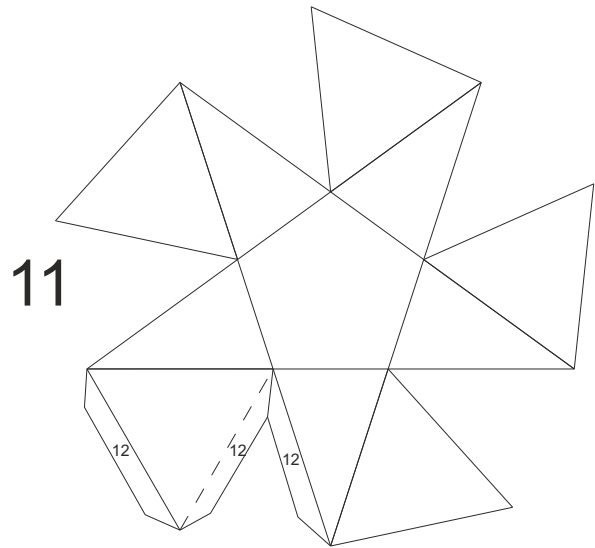
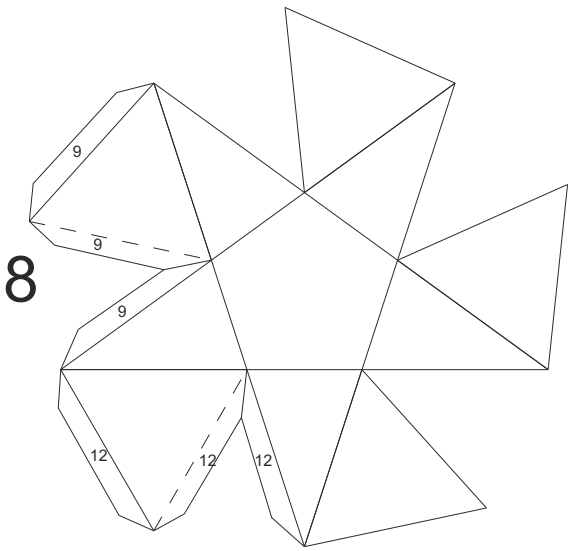
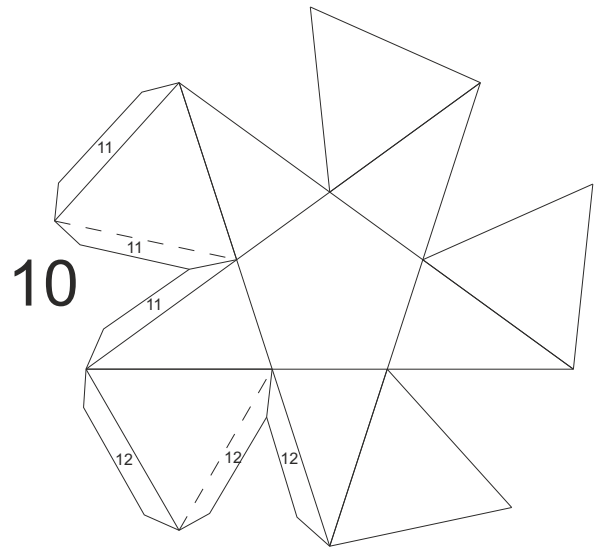
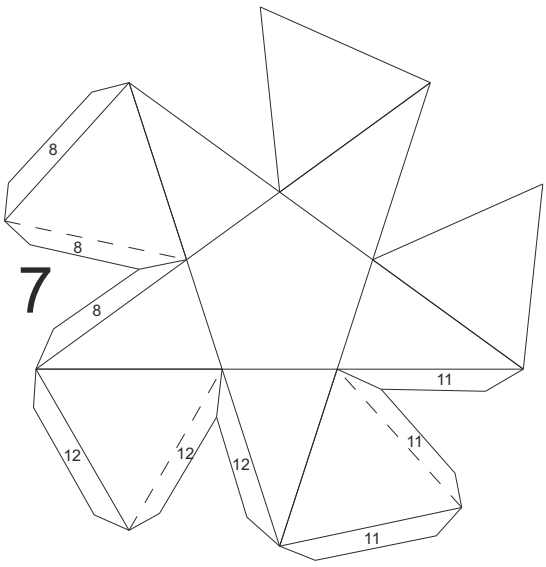


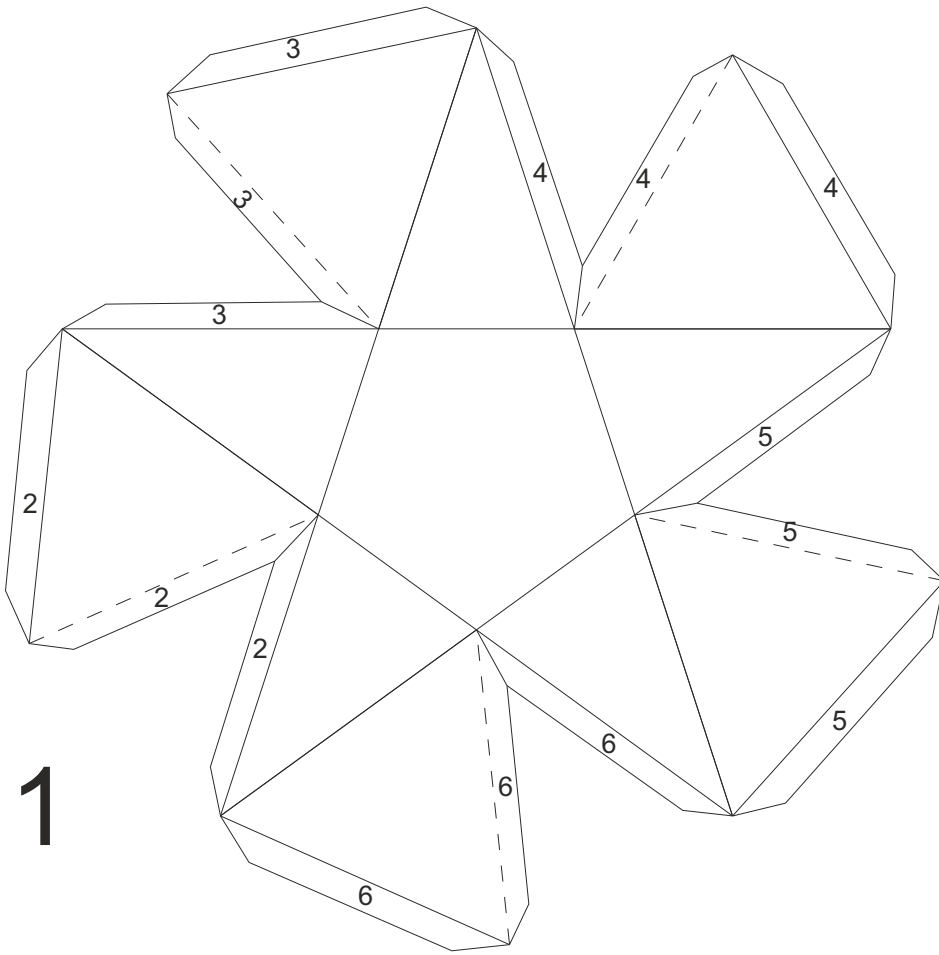
# Small Ditrigonal Icosidodecahedron



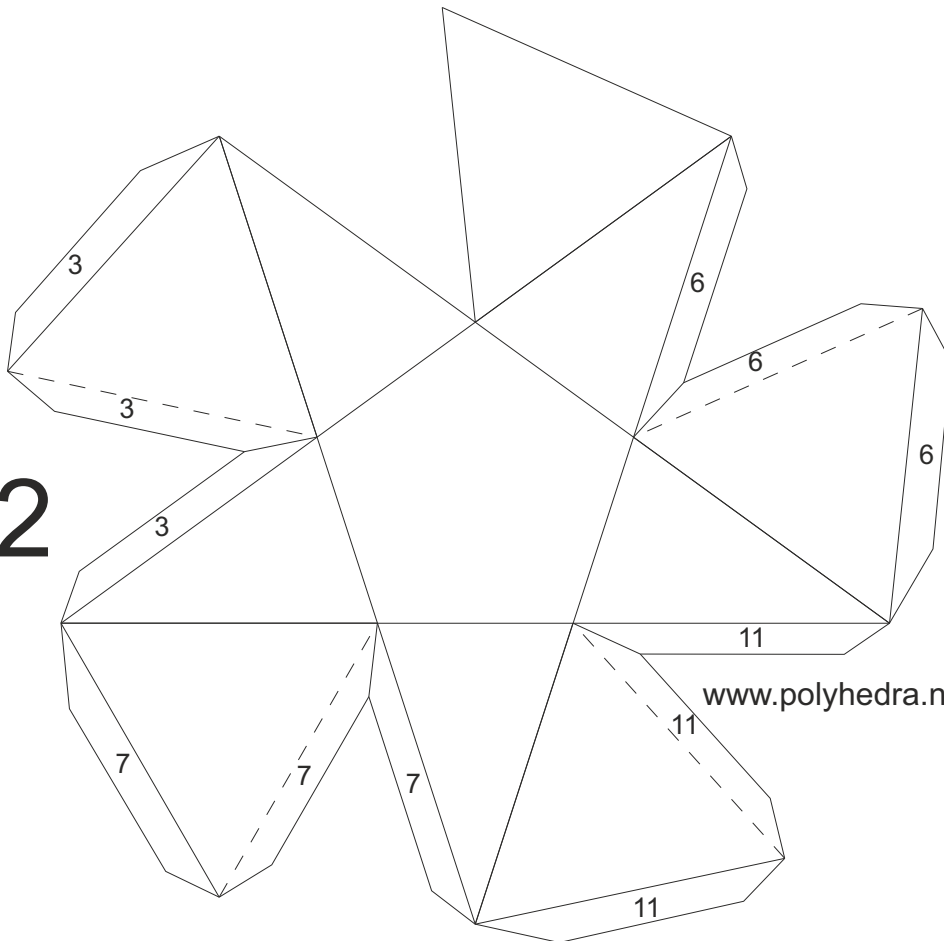
[www.polyhedra.net](http://www.polyhedra.net)

Do not fold the inner lines of the stars.  
Fold the dotted lines forwards



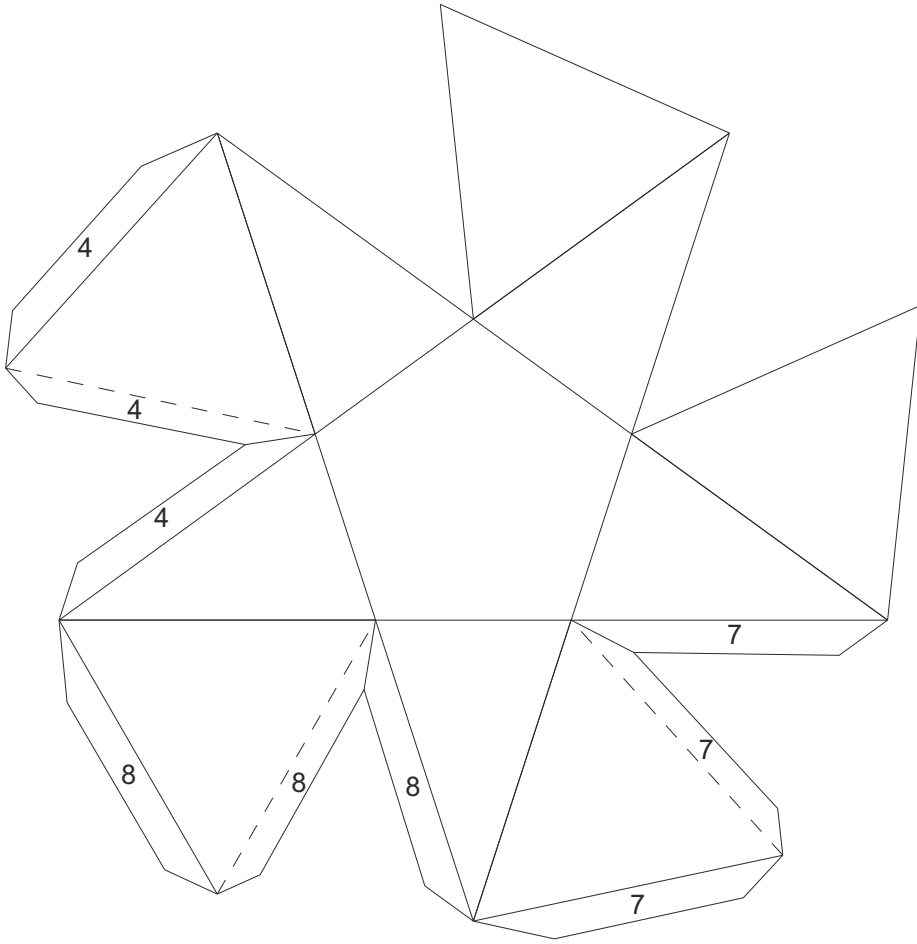


1

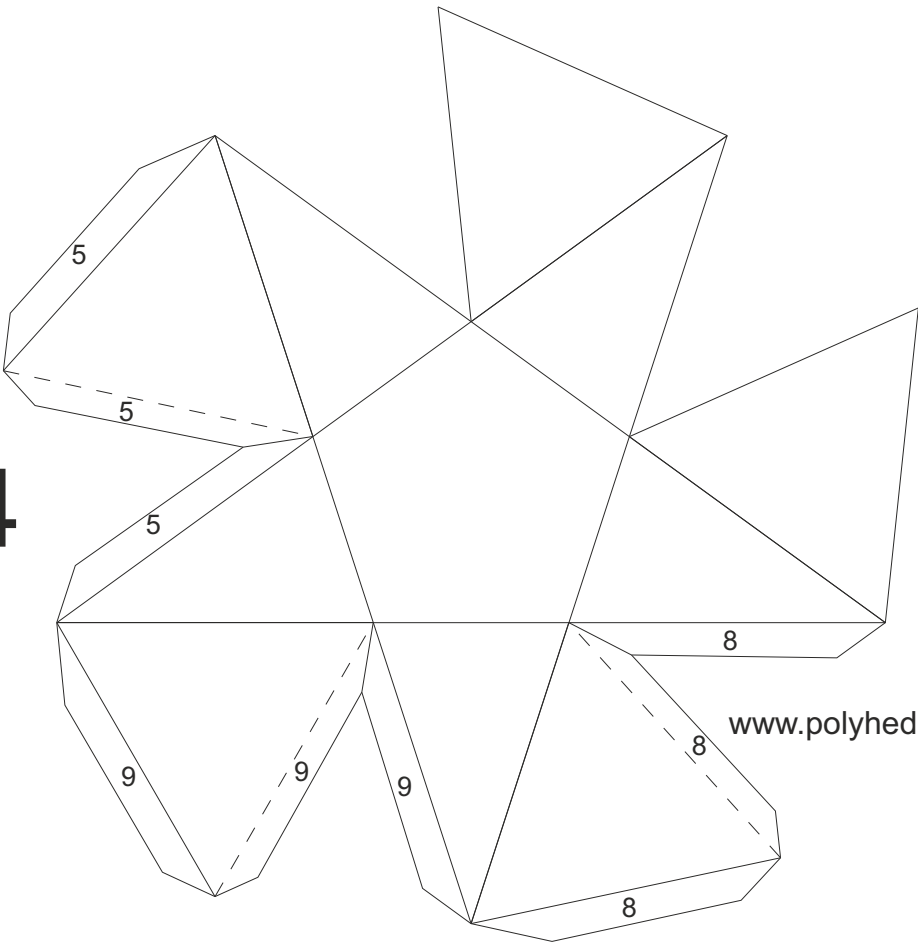


2

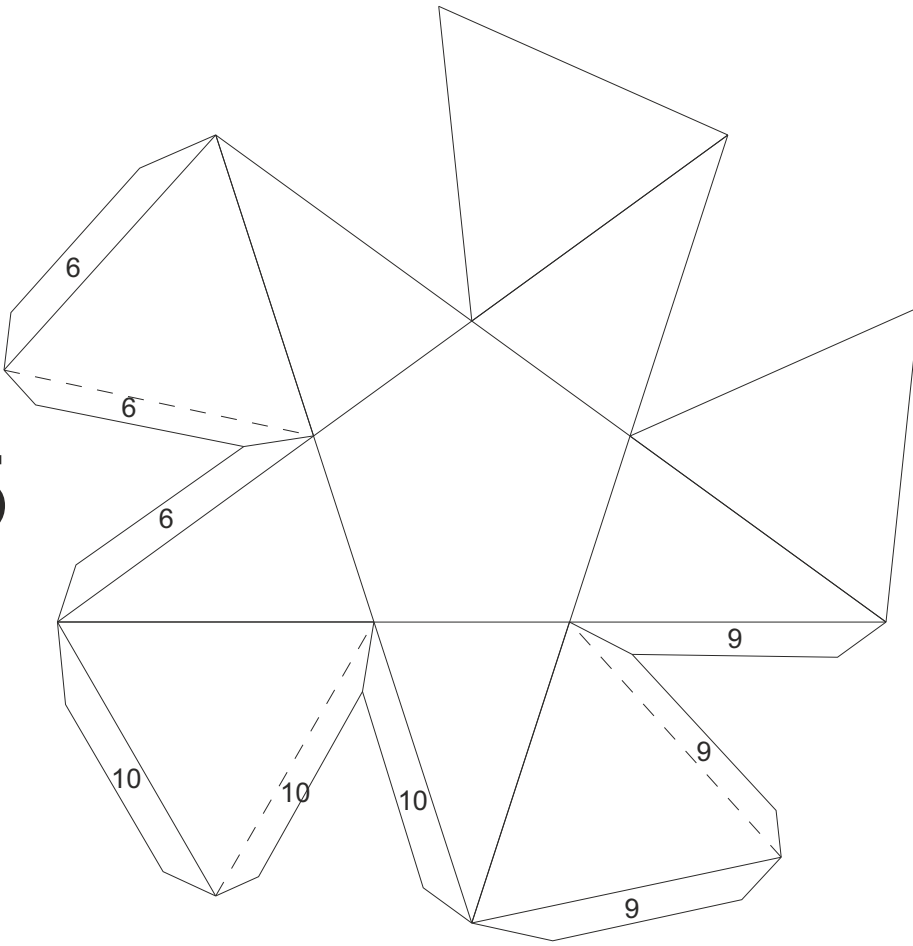
3



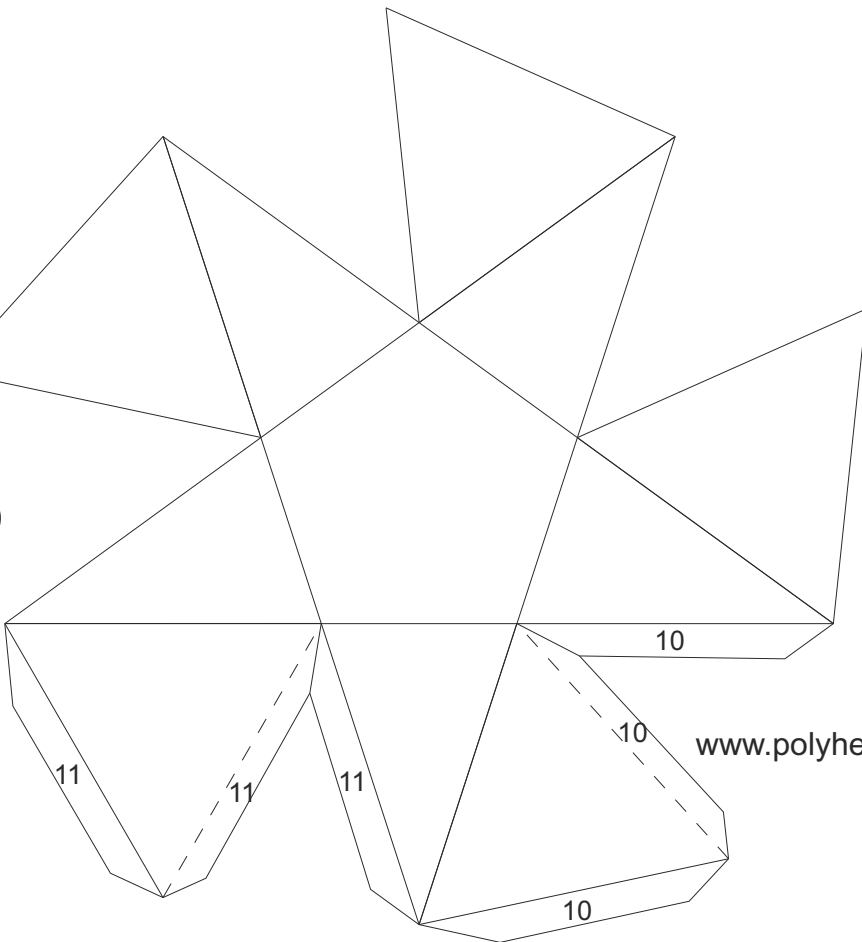
4

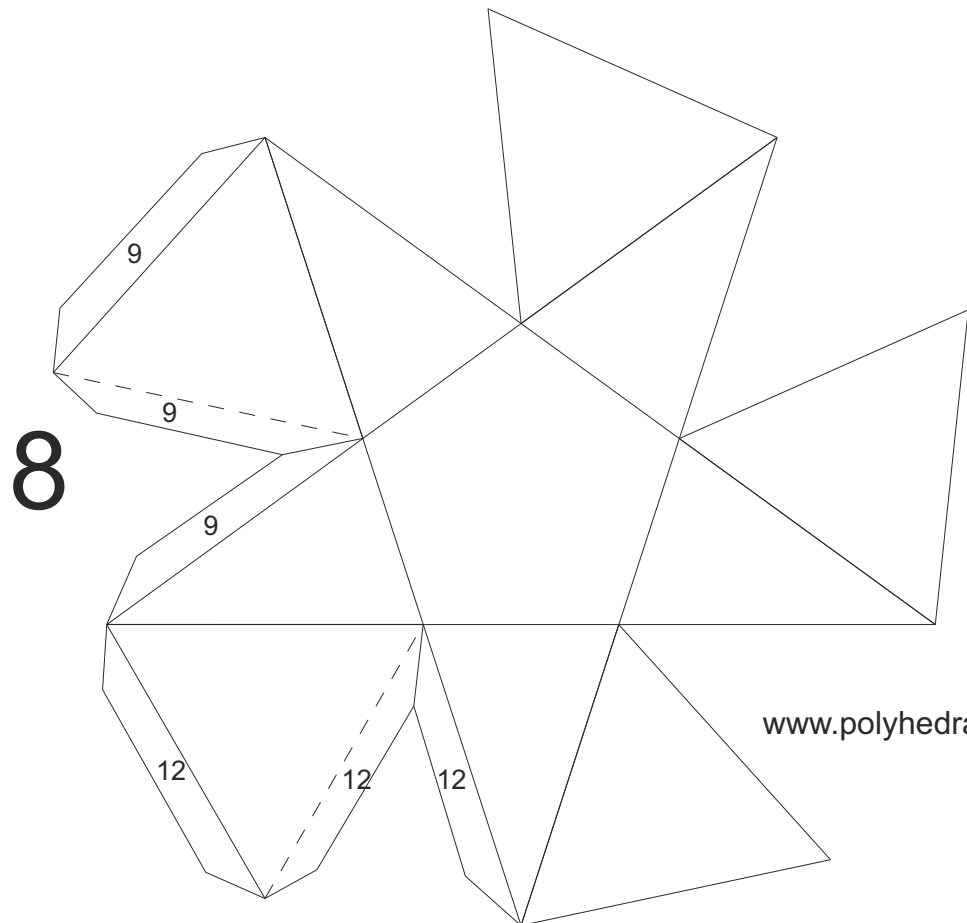
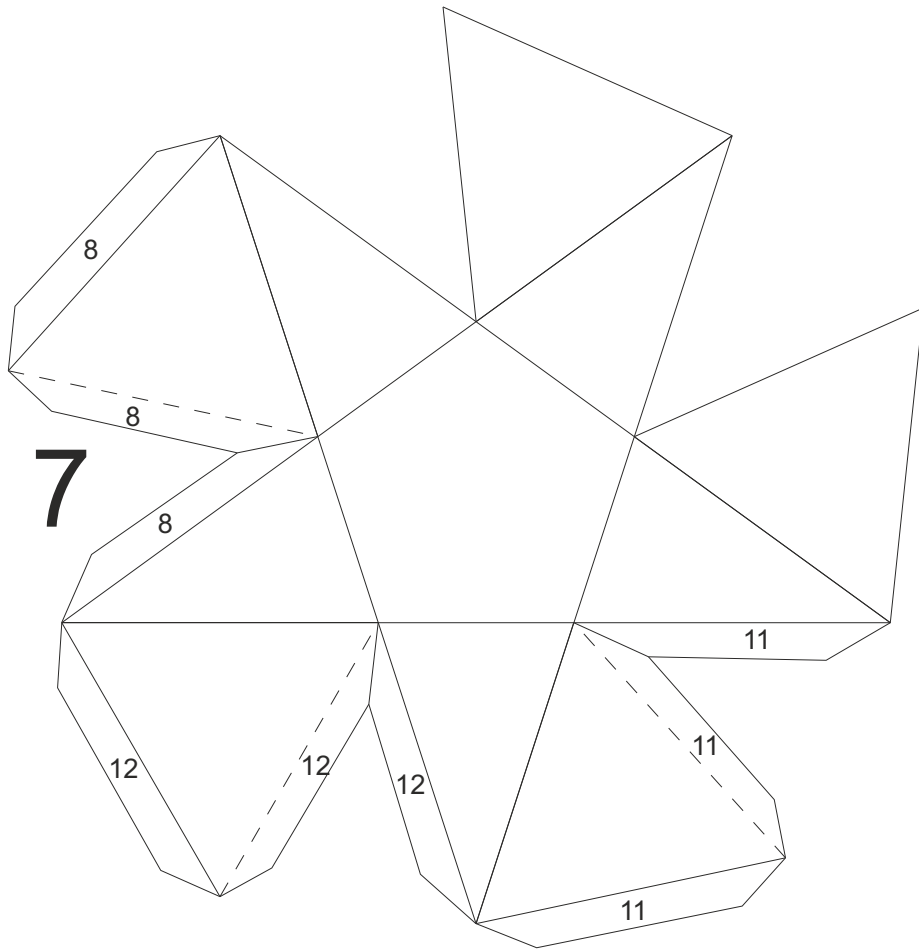


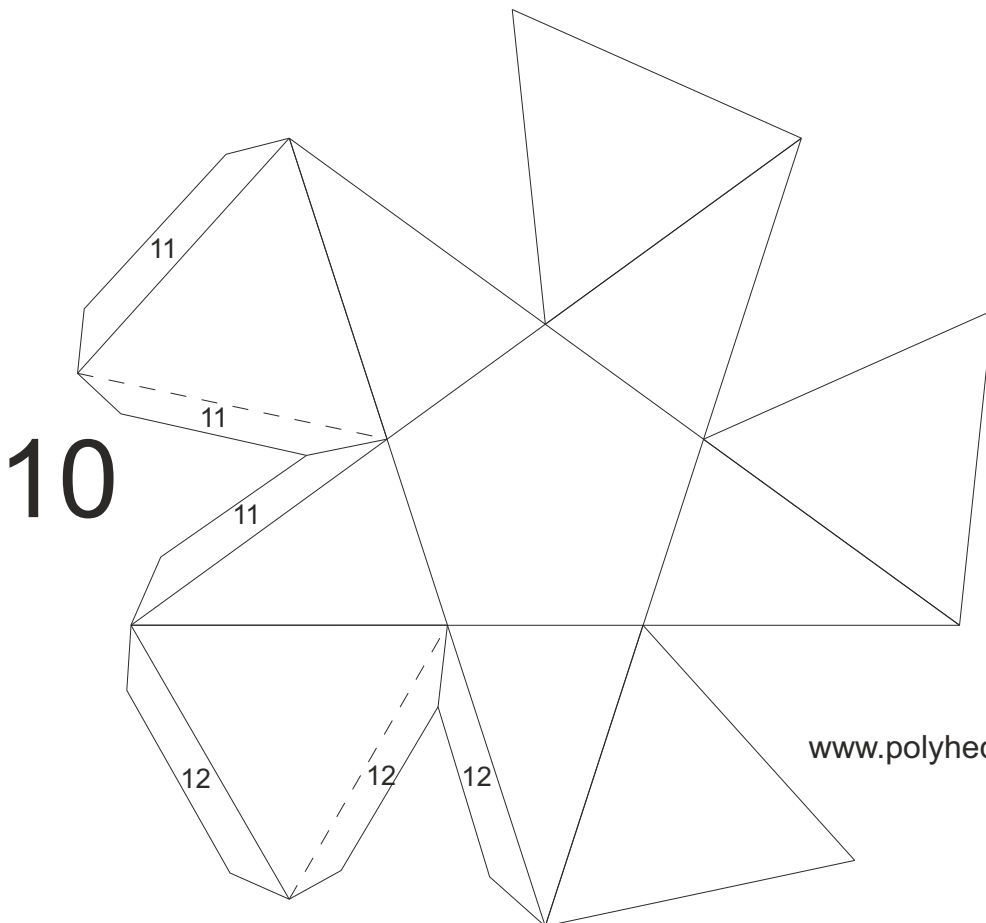
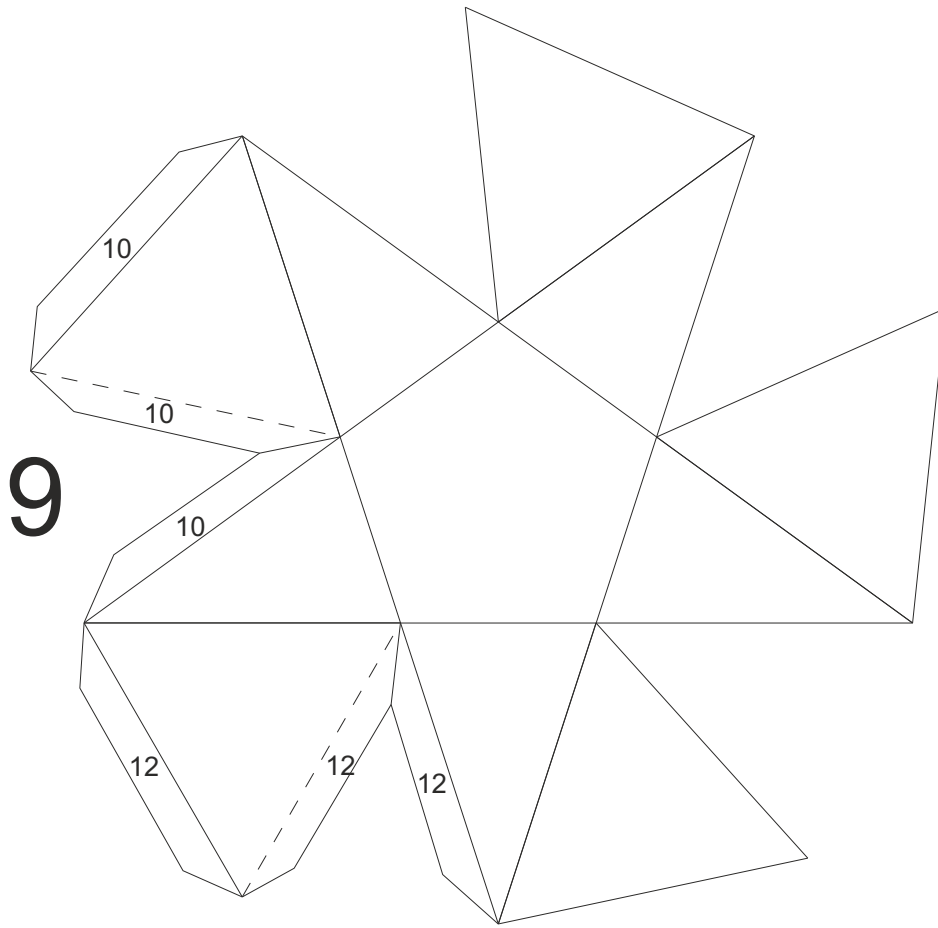
5



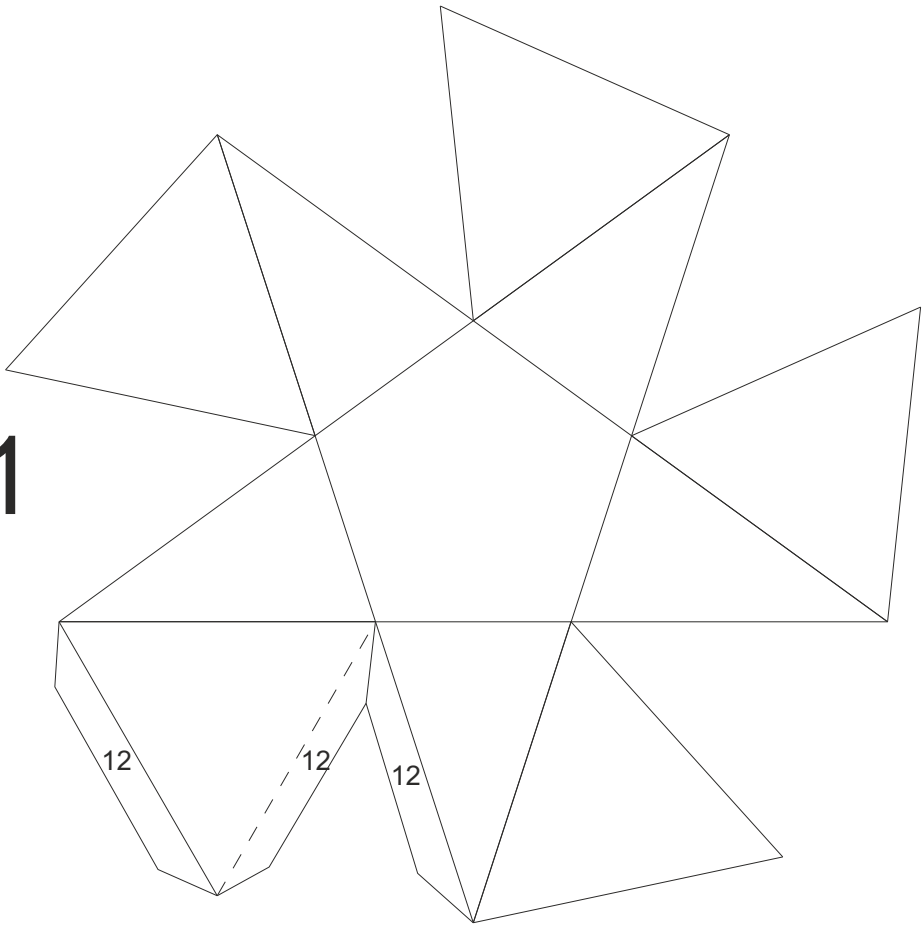
6







11



12

