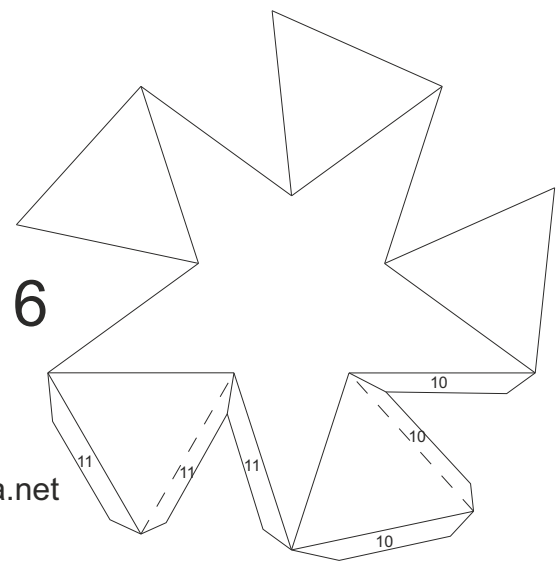
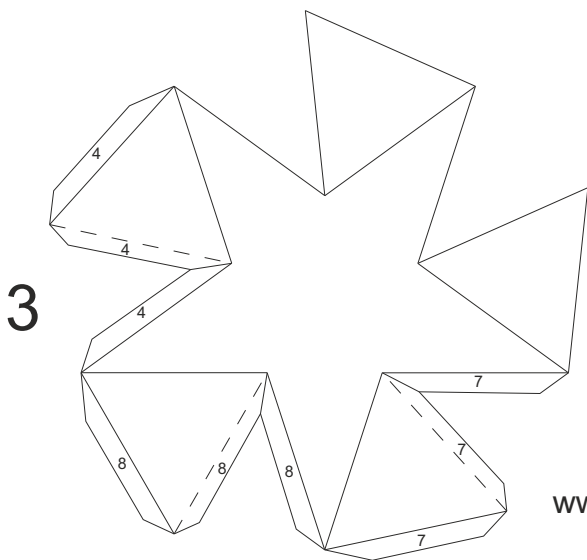
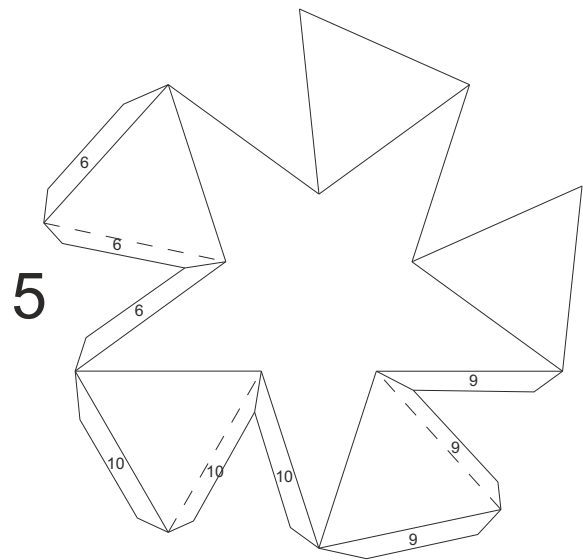
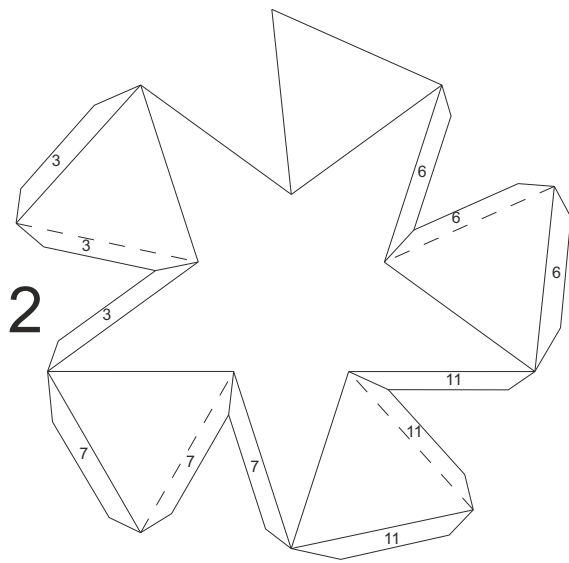
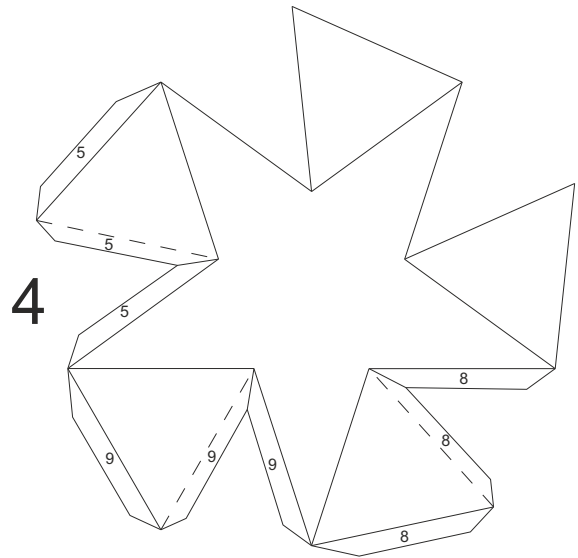
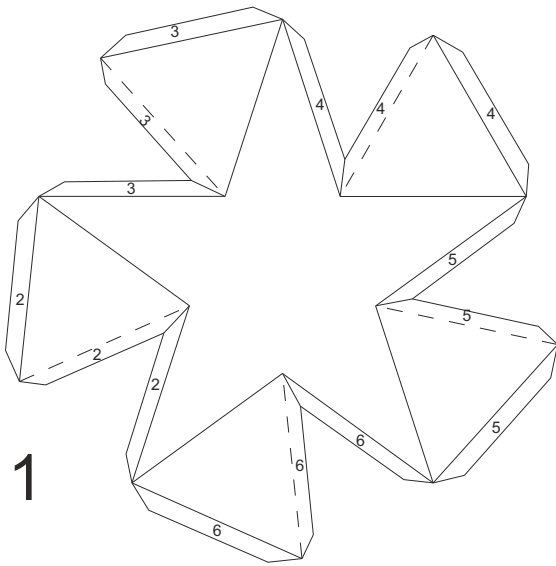
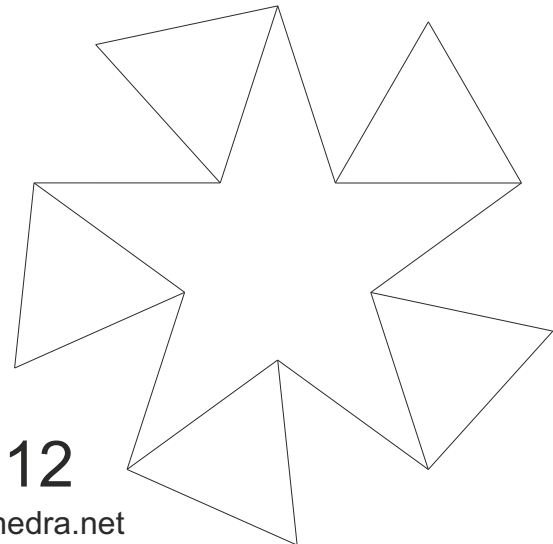
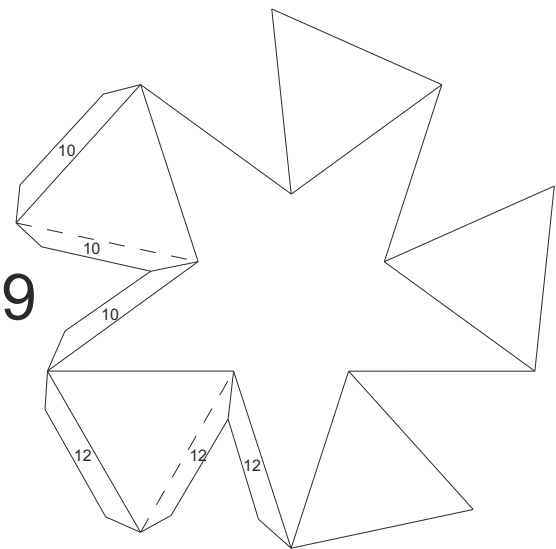
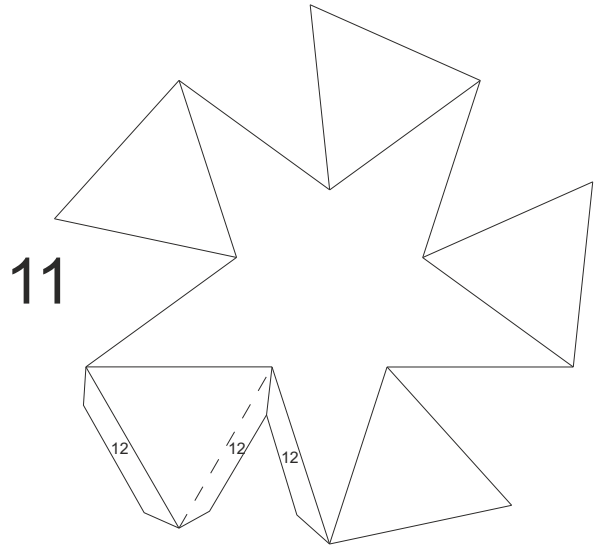
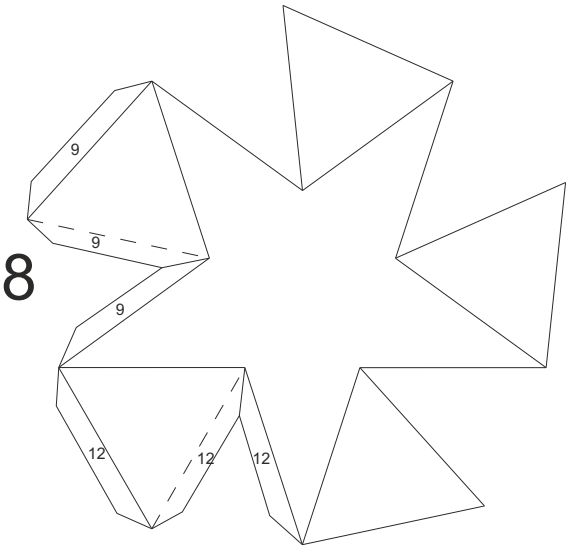
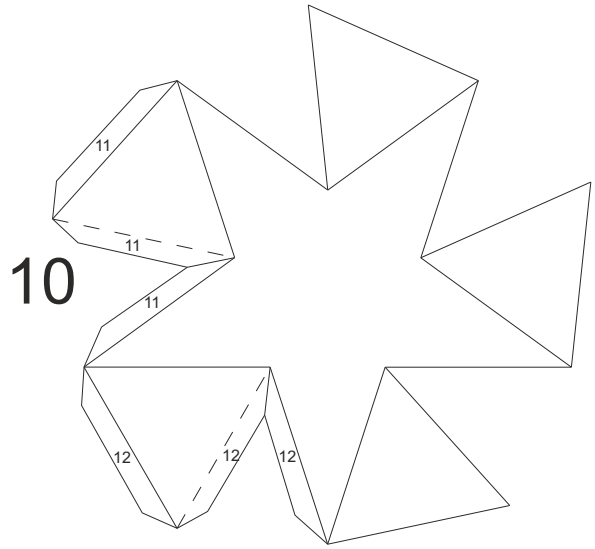
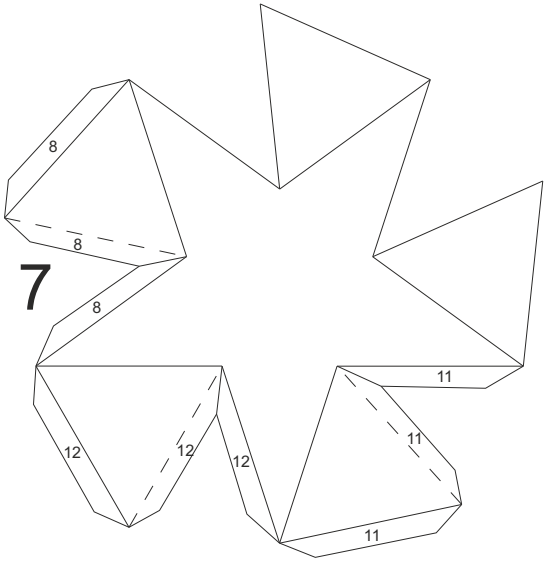


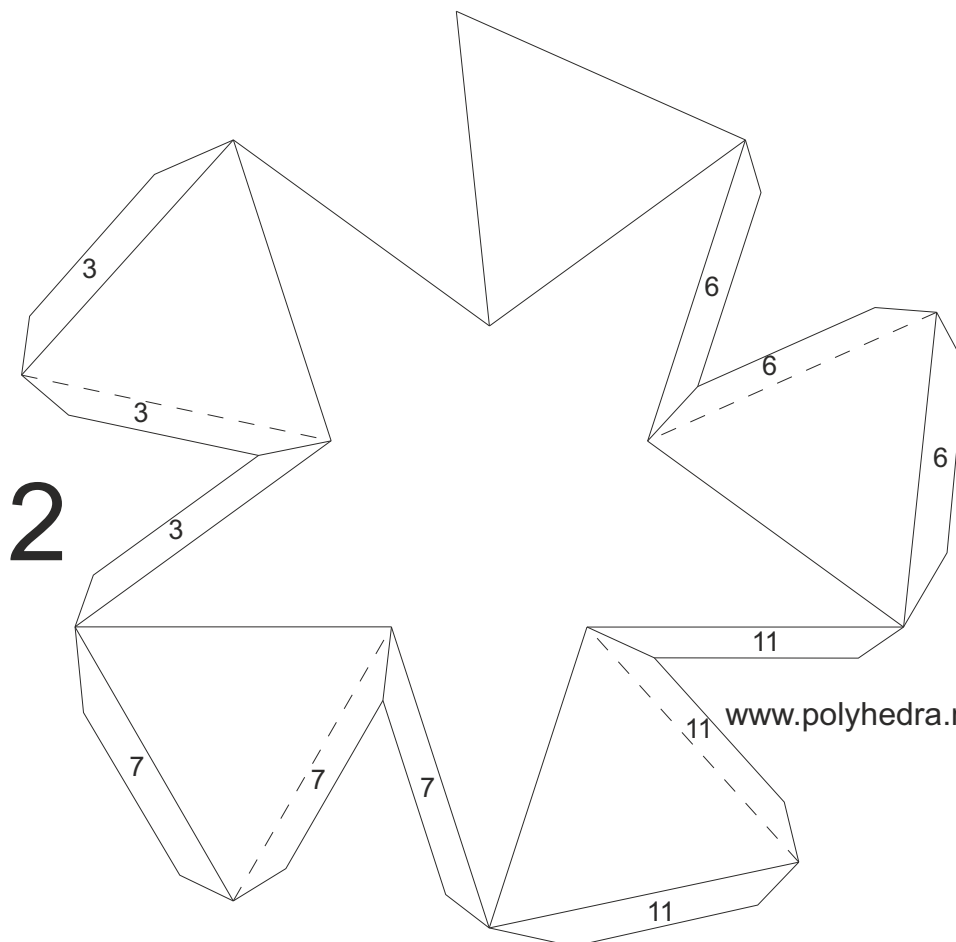
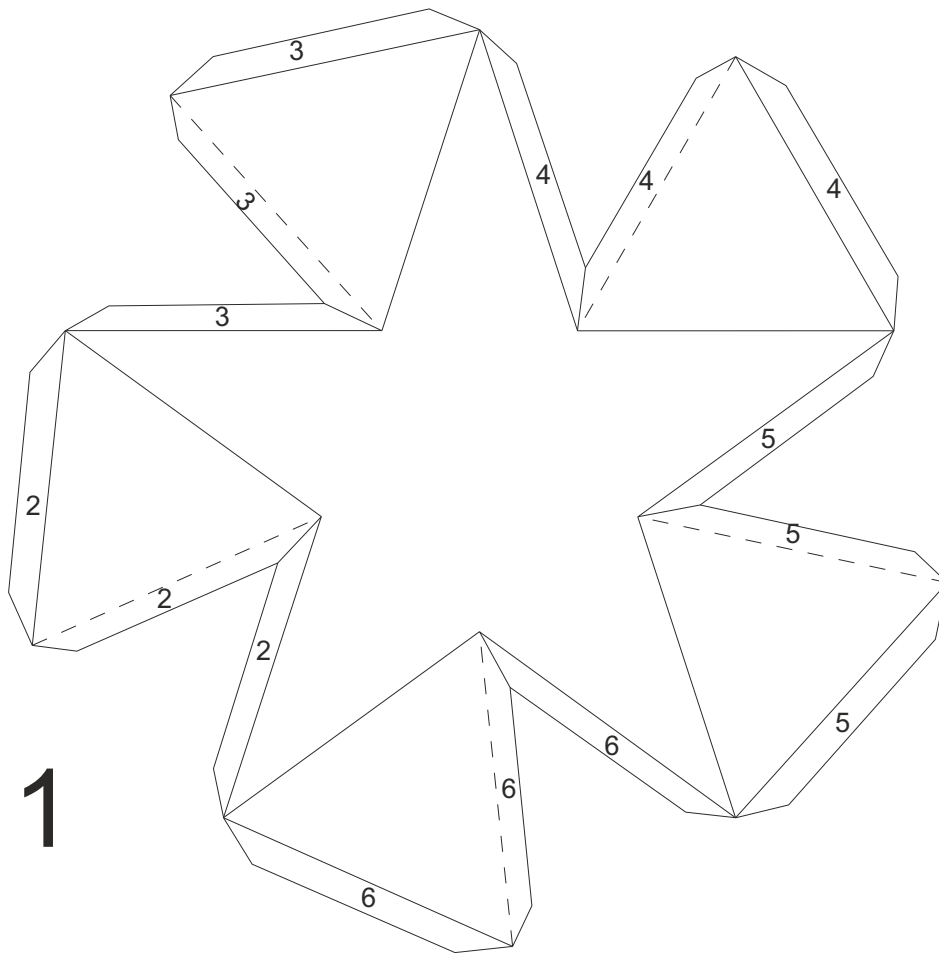
Small Ditrigonal Icosidodecahedron



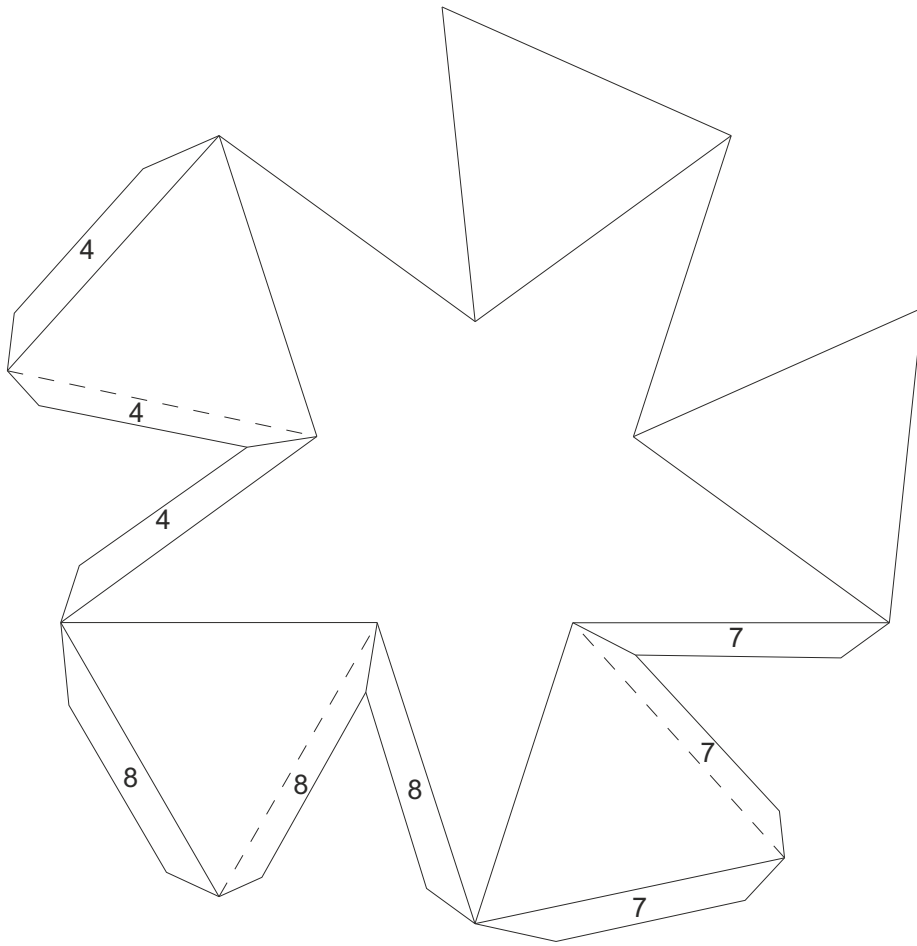
www.polyhedra.net

Do not fold the inner lines of the stars.
Fold the dotted lines forwards

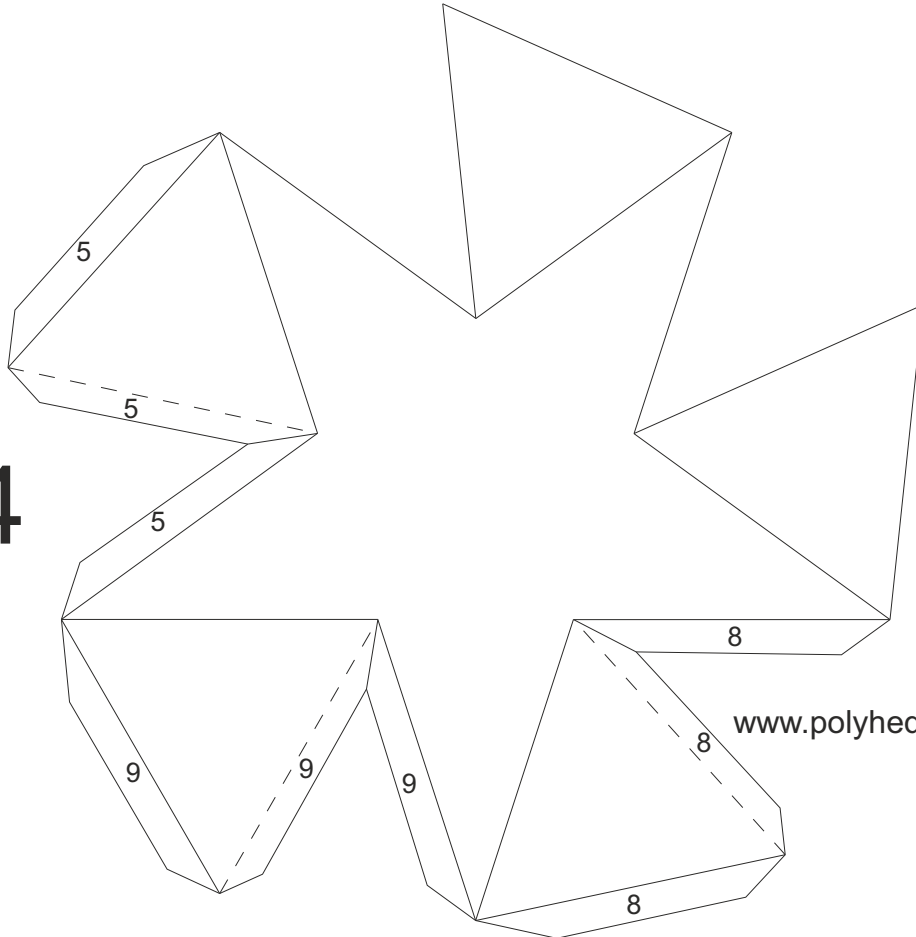




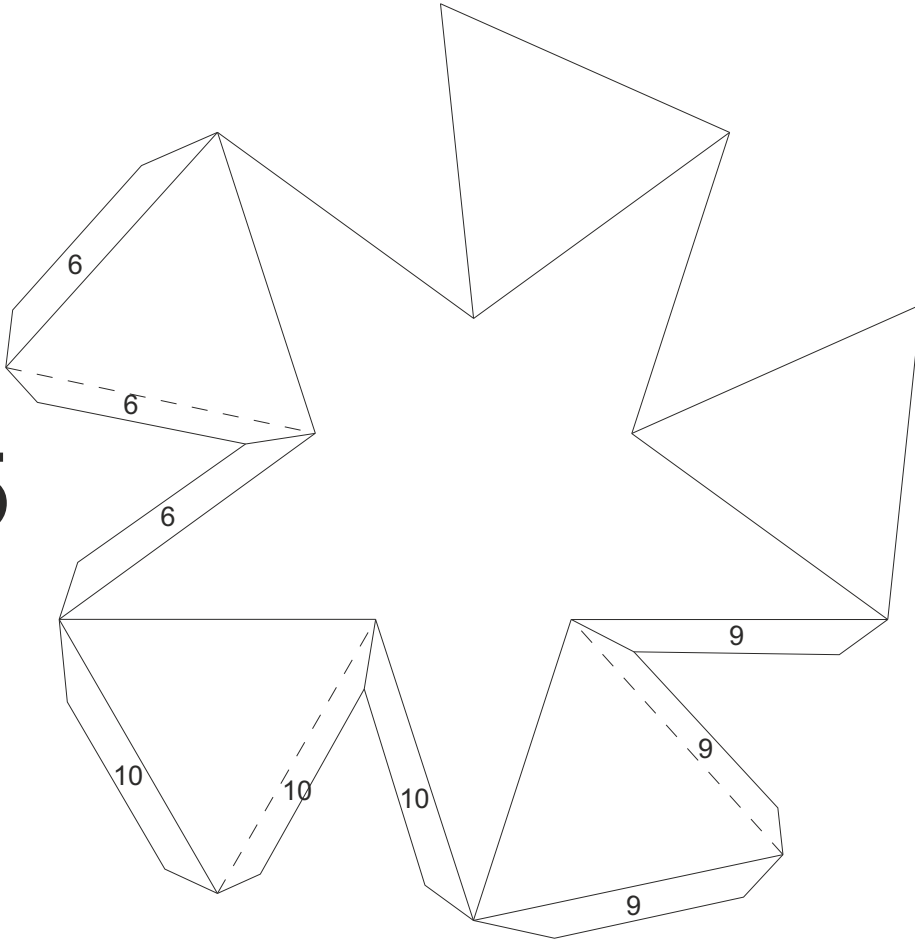
3



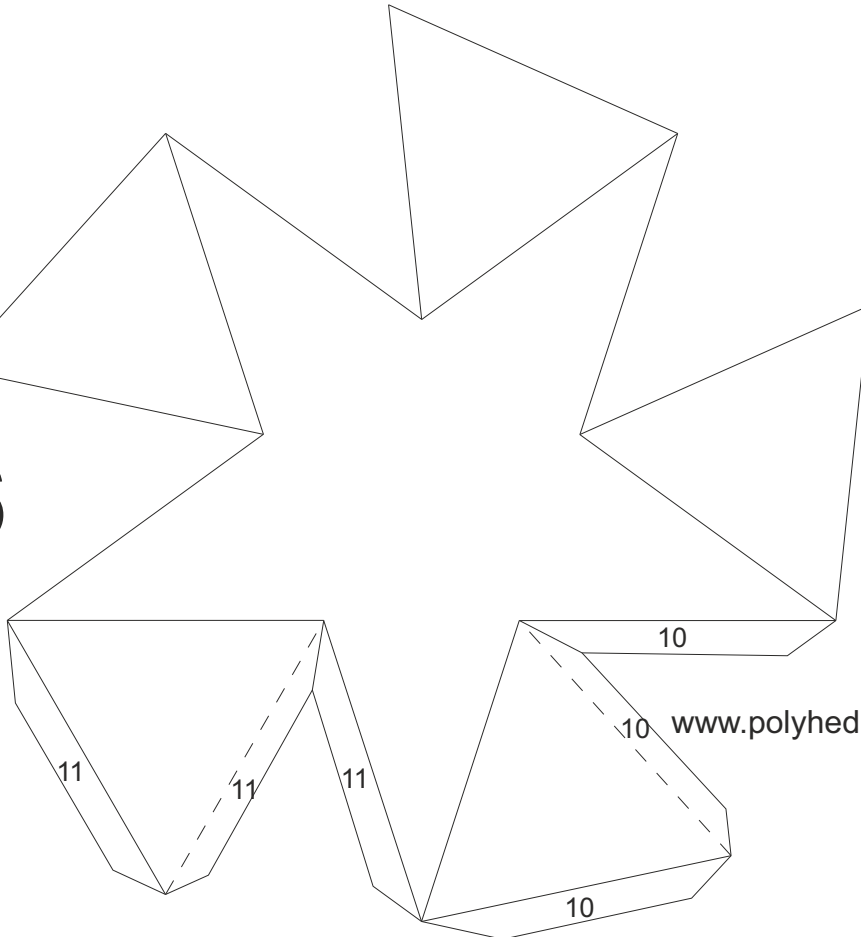
4

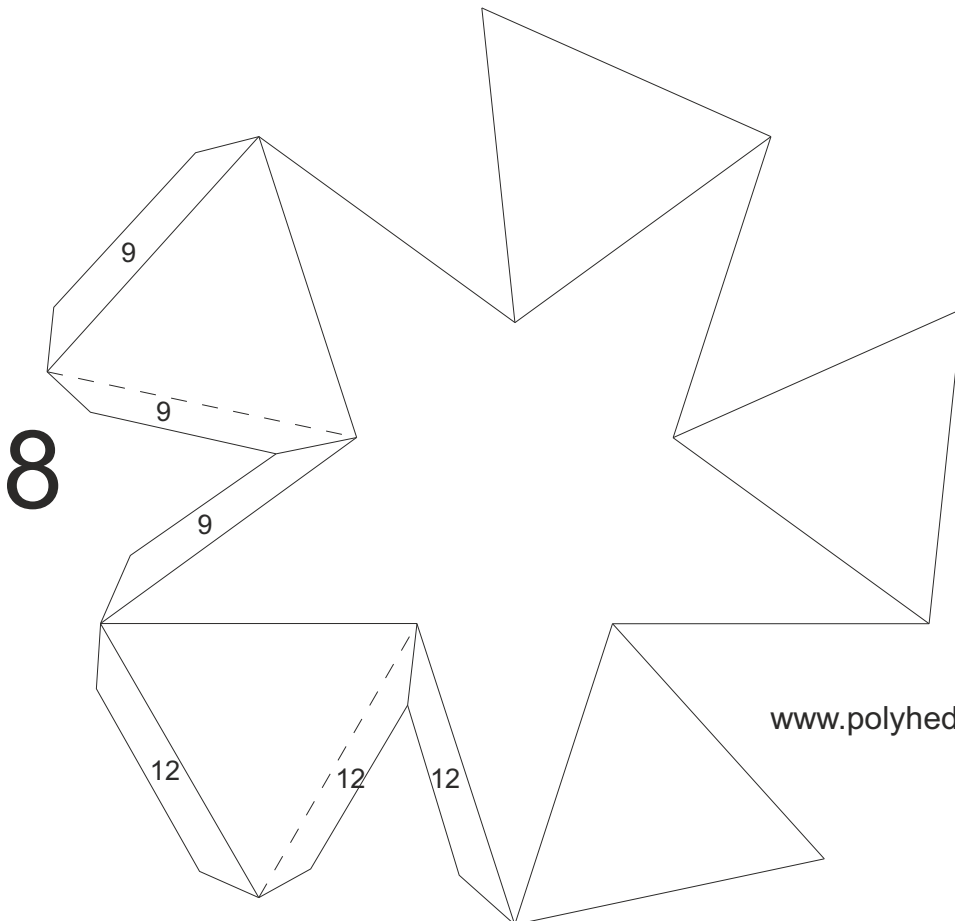
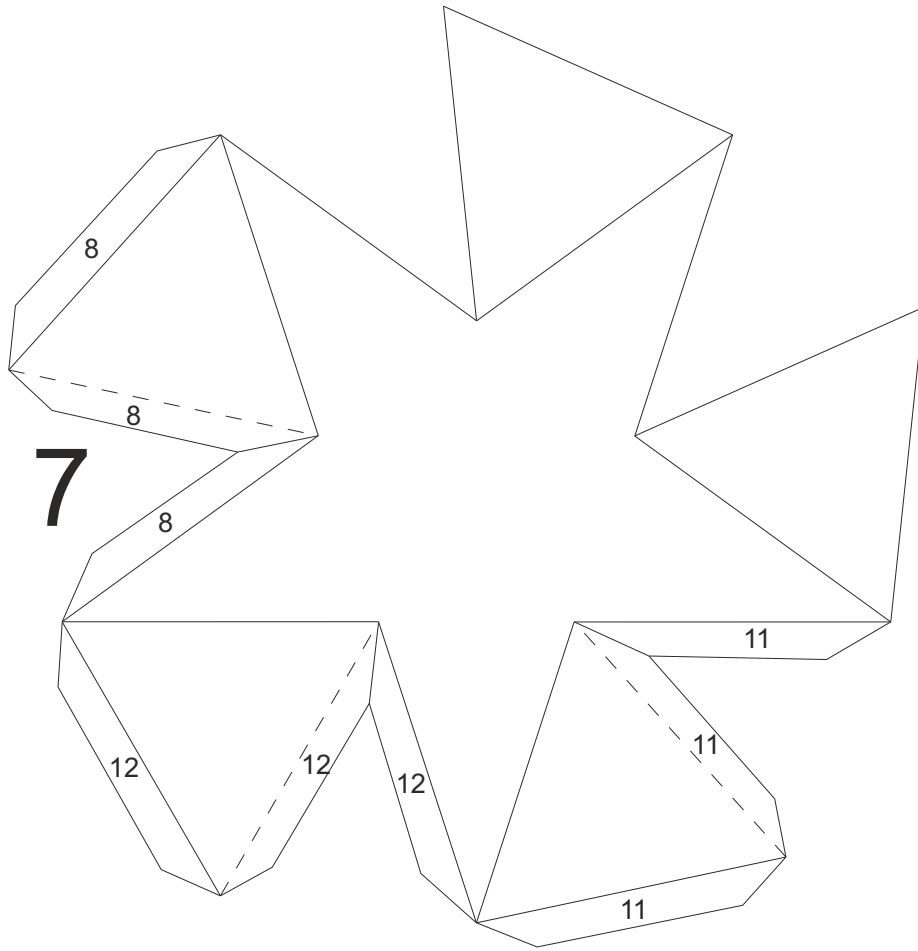


5

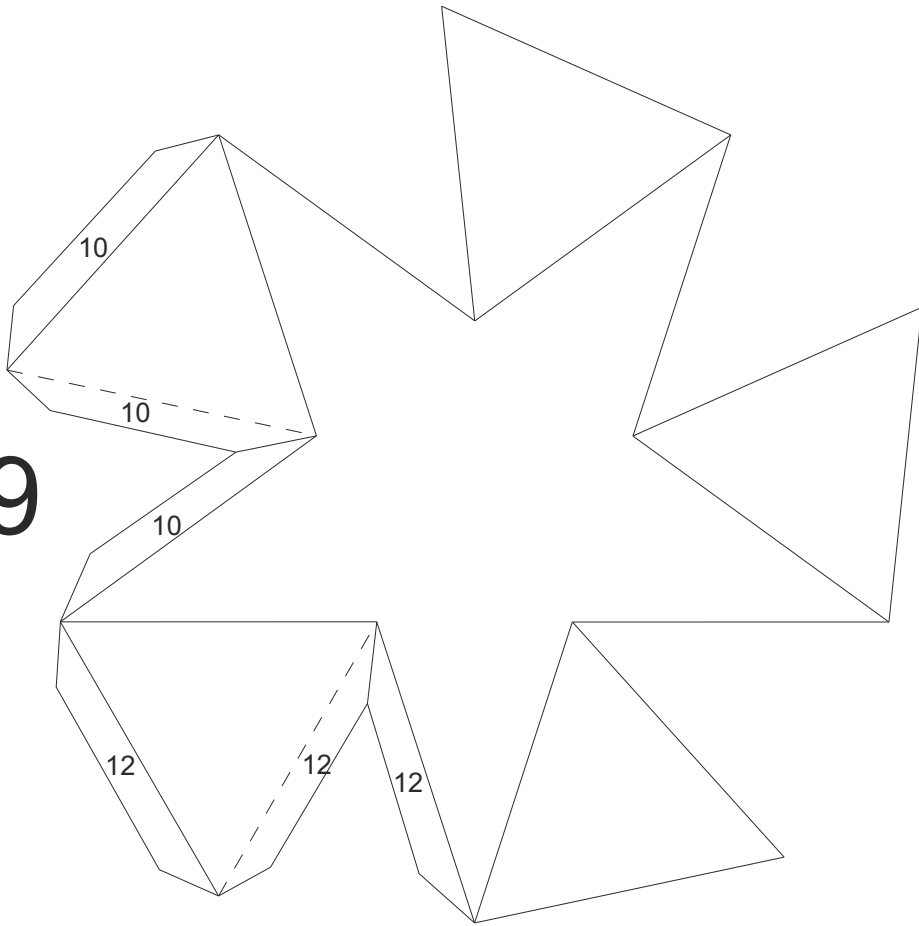


6

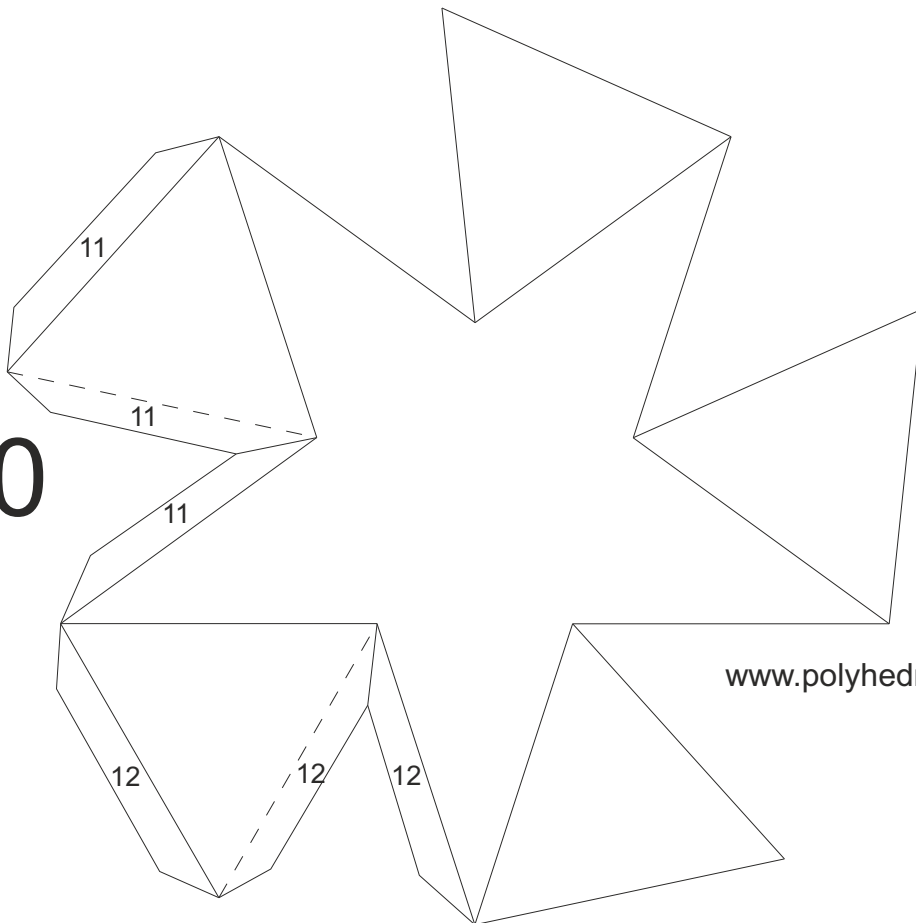




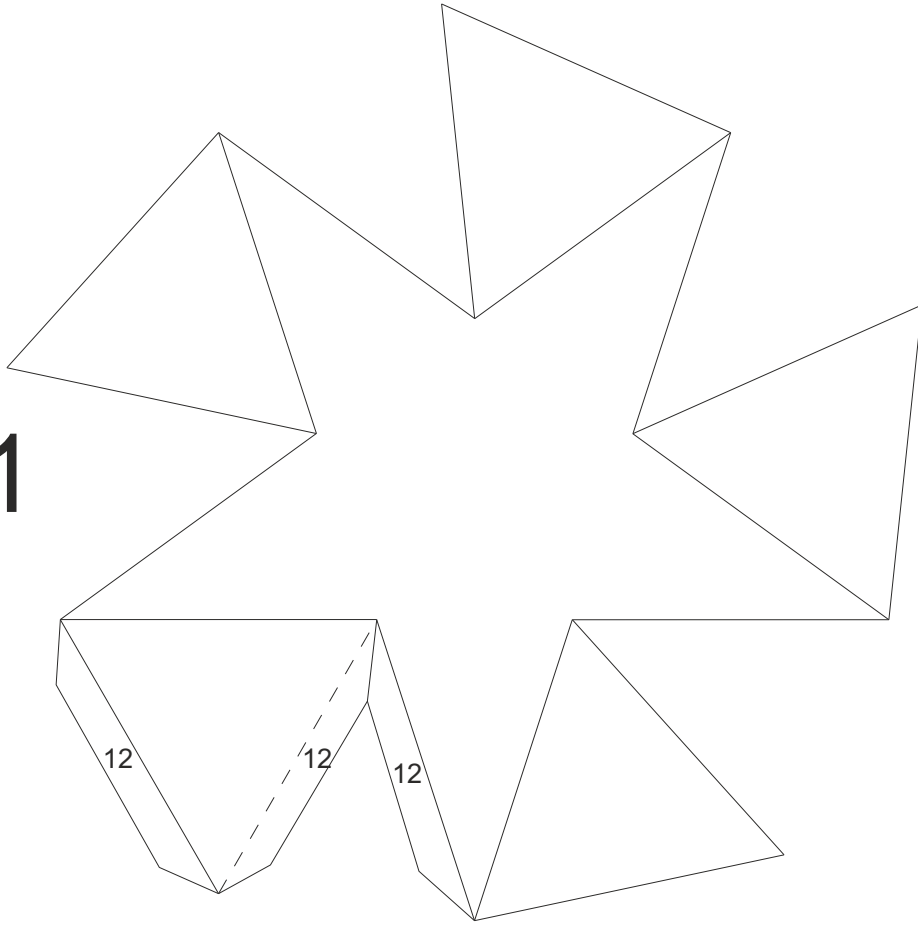
9



10



11



12

