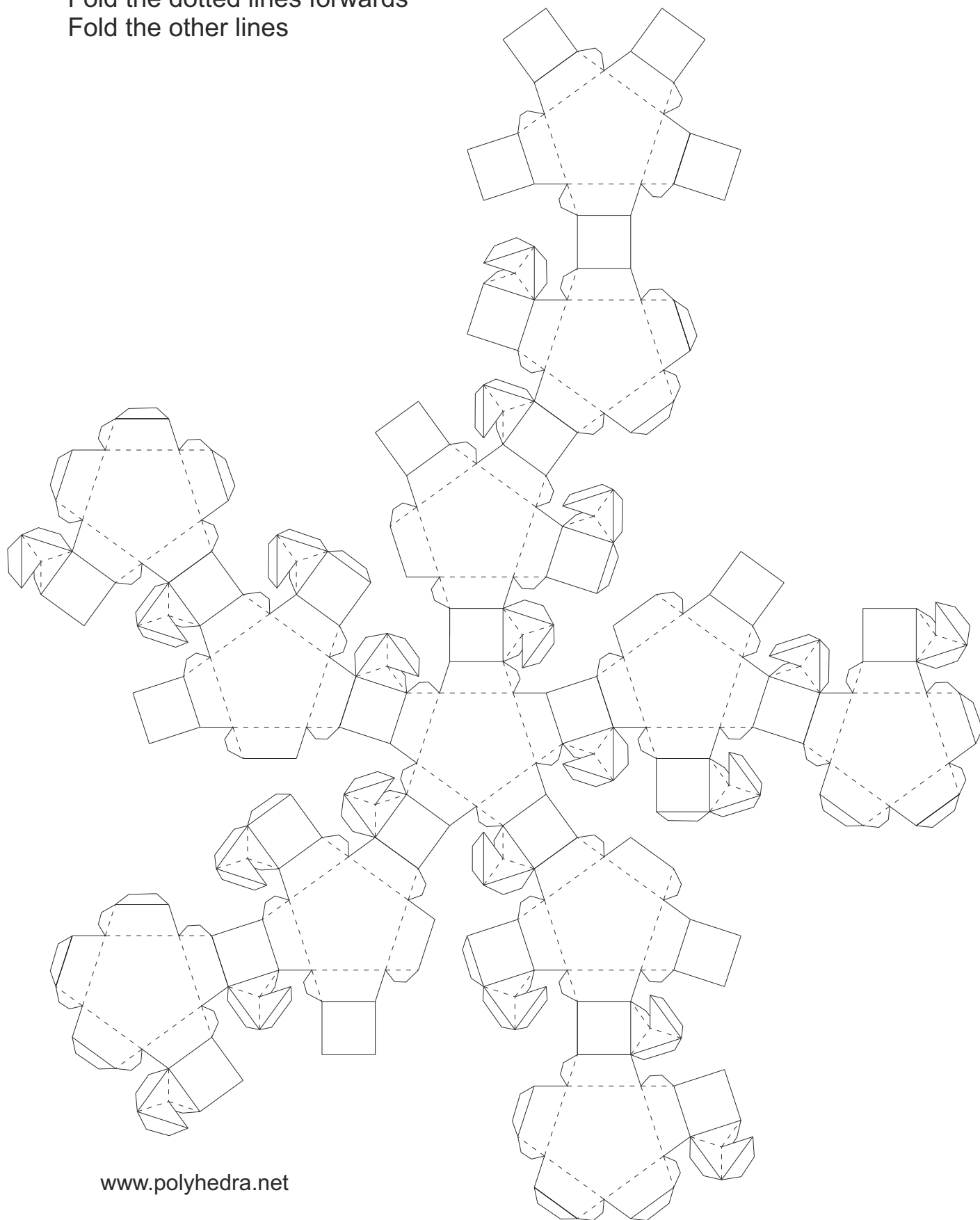


Small Rhombidodecahedron

(small version)

Fold the dotted lines forwards

Fold the other lines



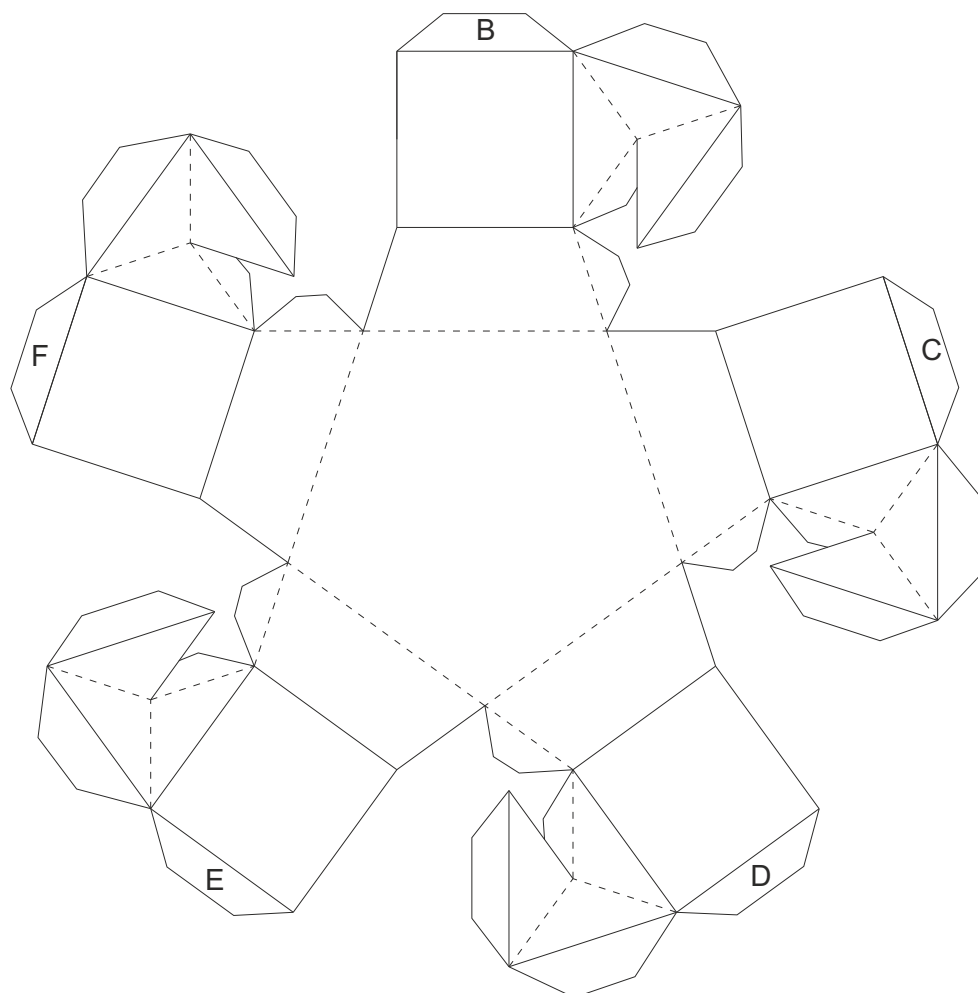
Small Rhombidodecahedron

(large version)

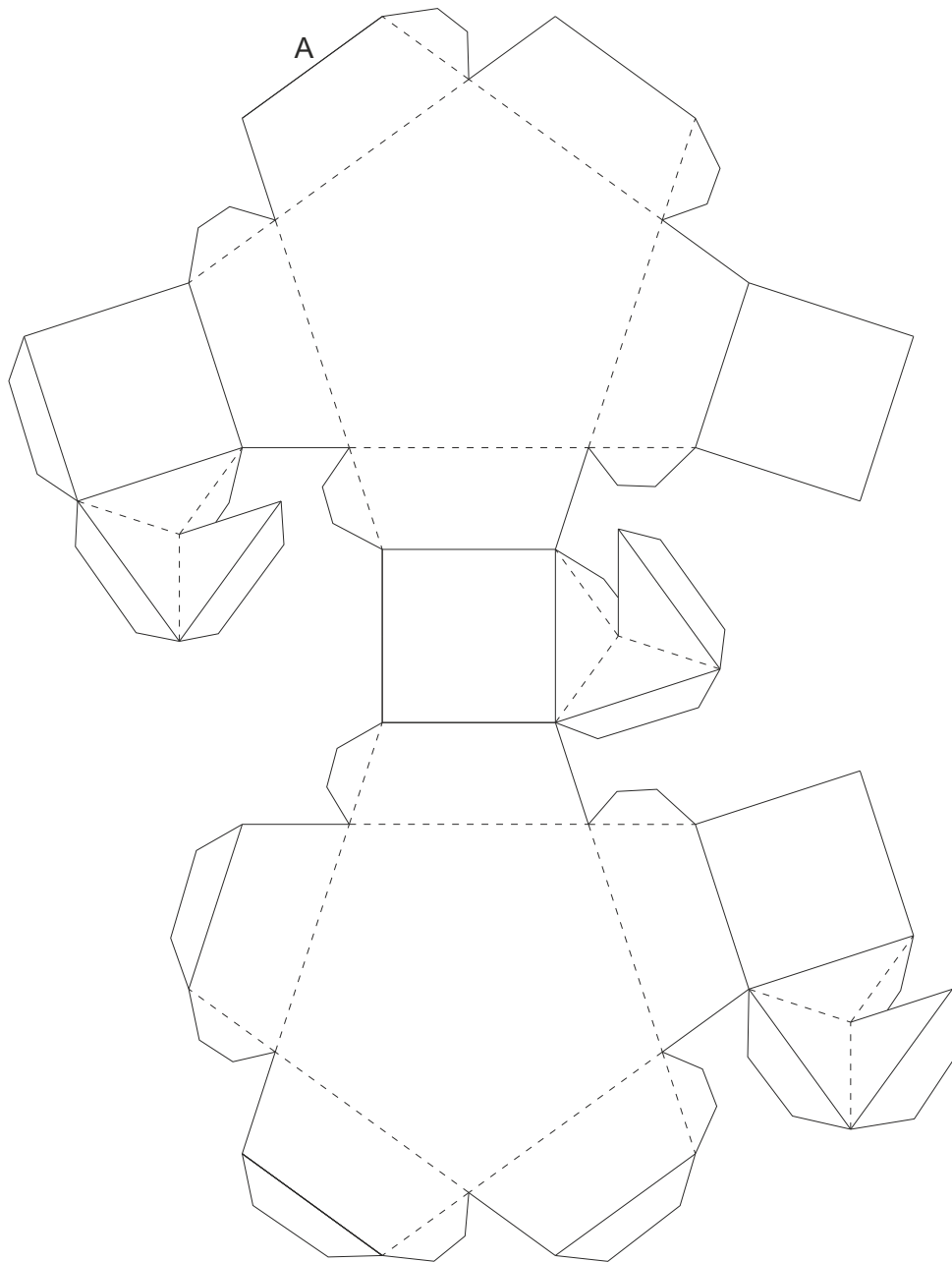
Fold the dotted lines forwards

Fold the other lines

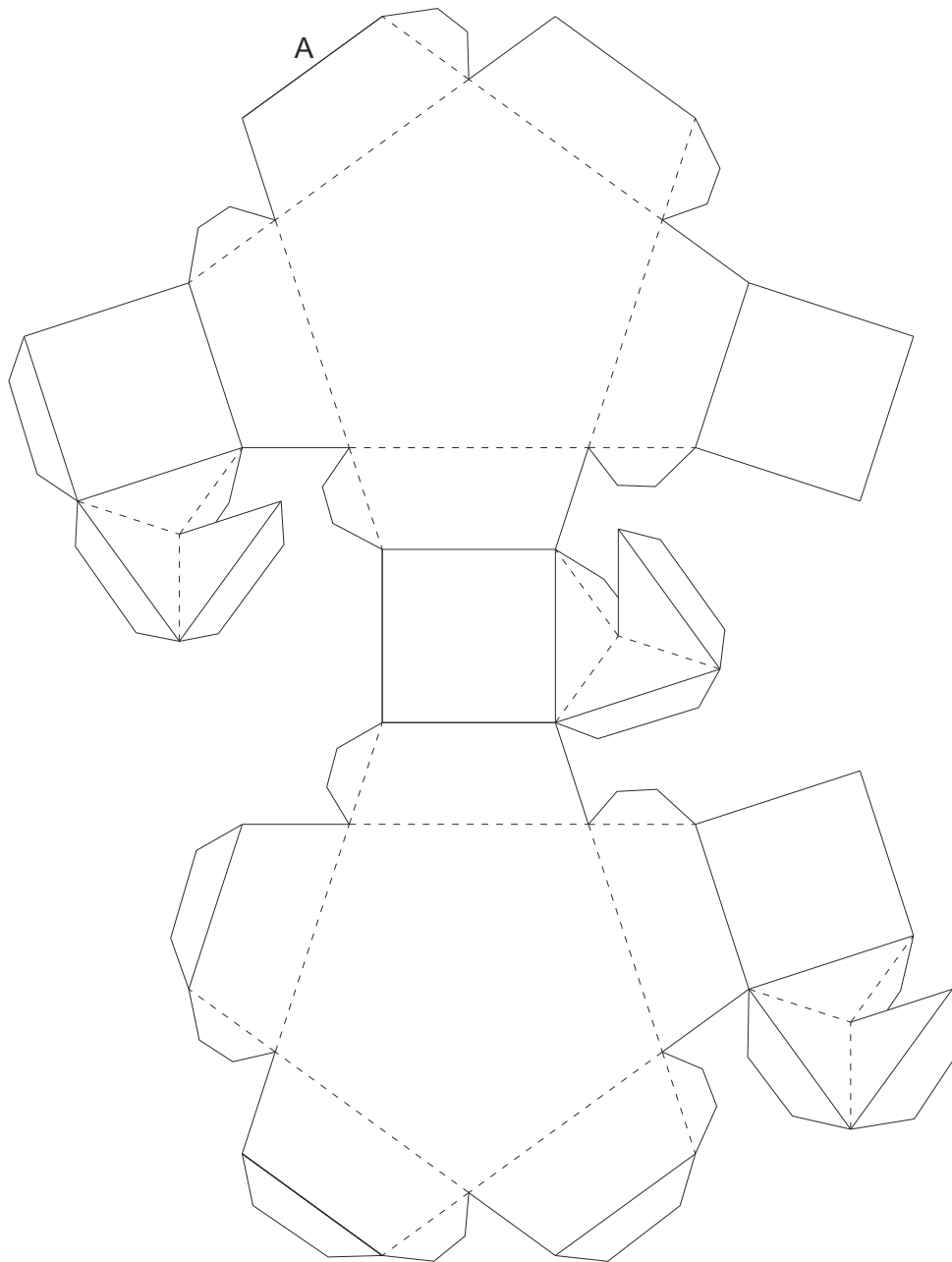
A



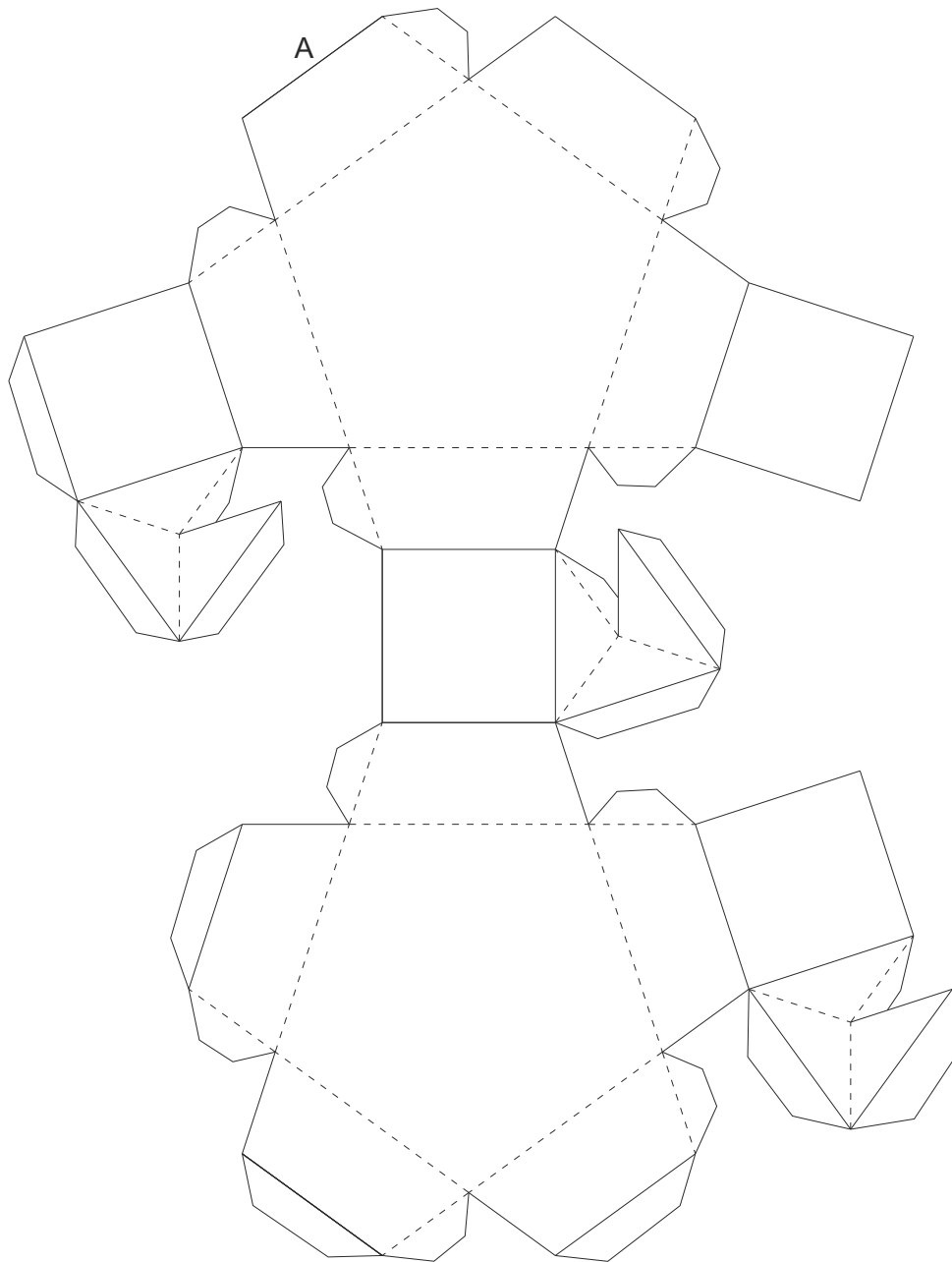
B



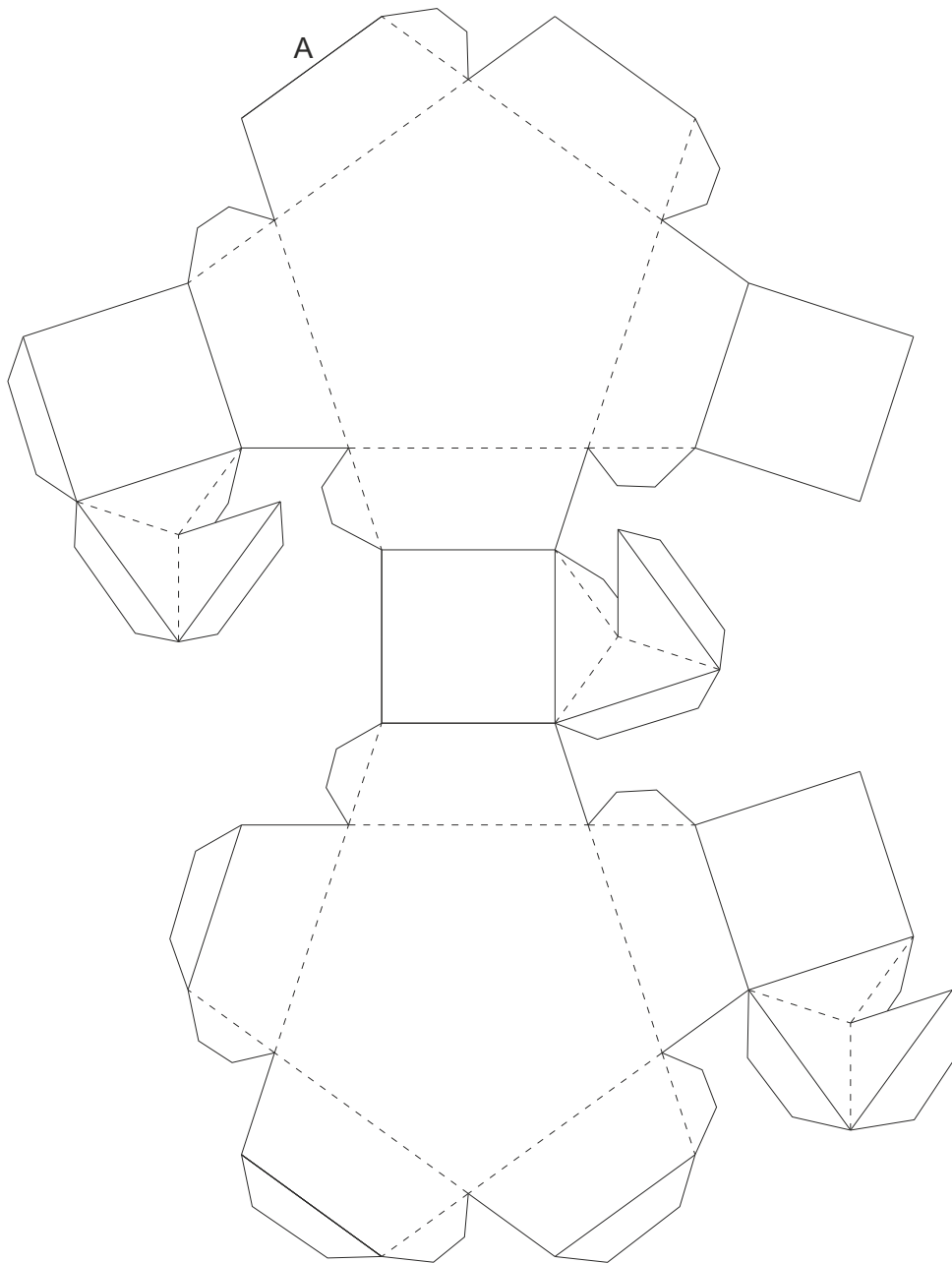
C



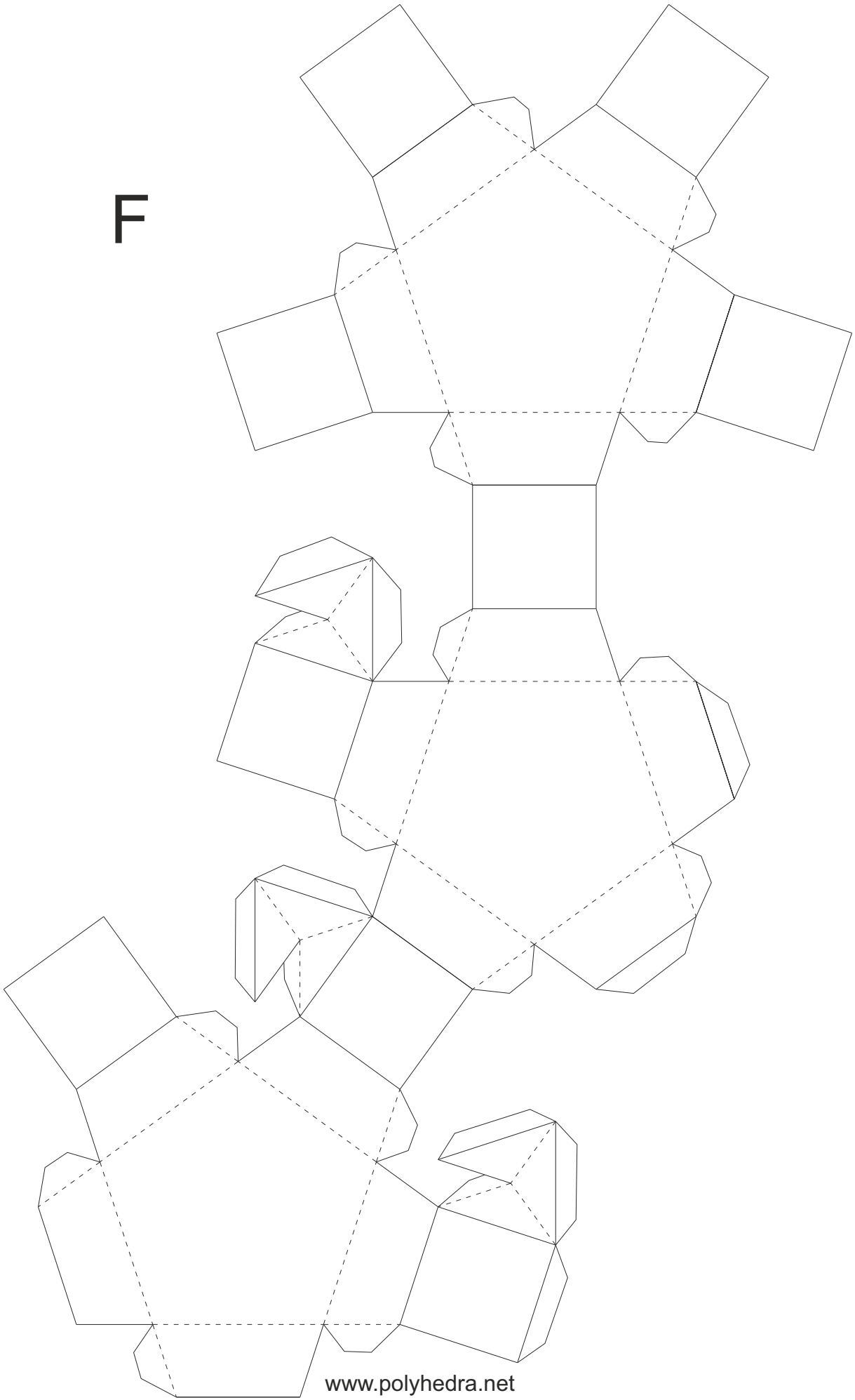
D



E



F



A