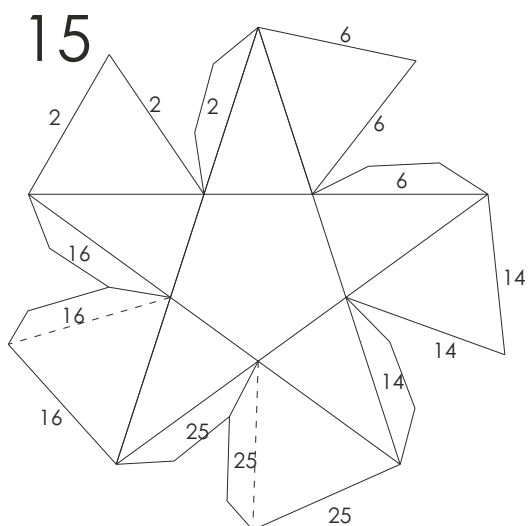
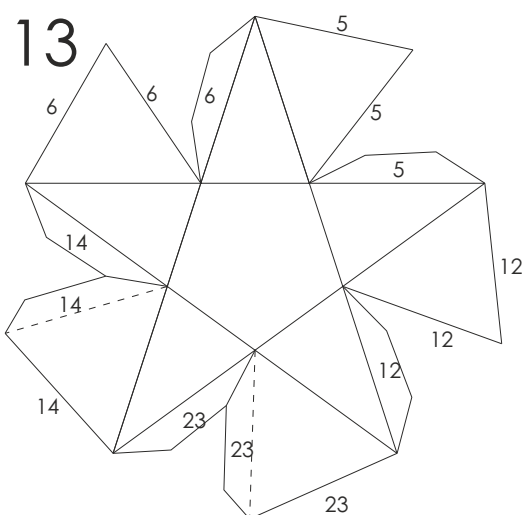
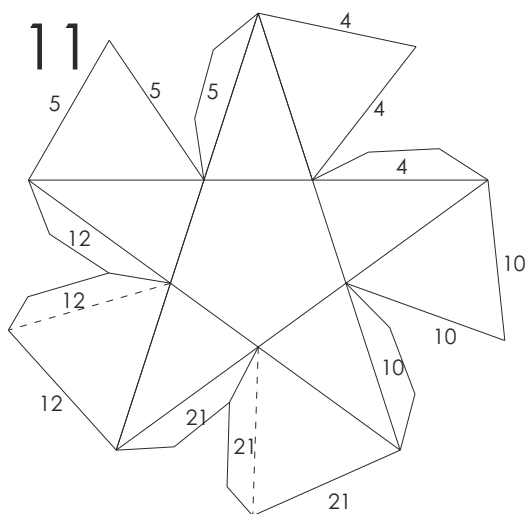
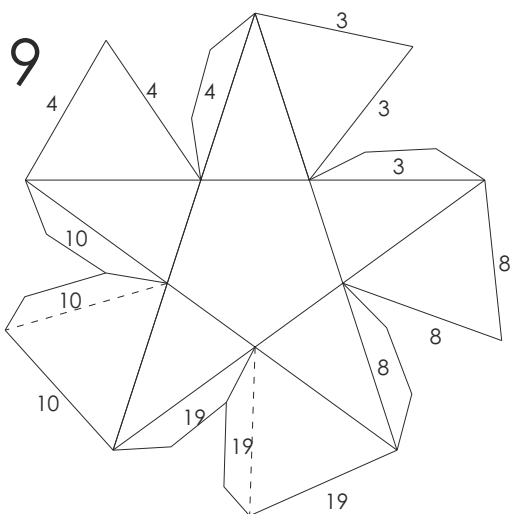
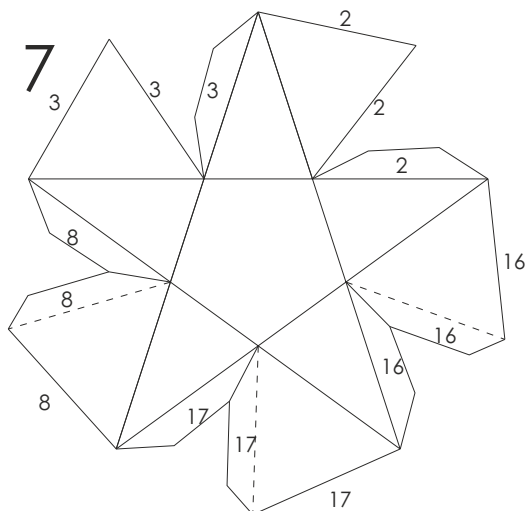
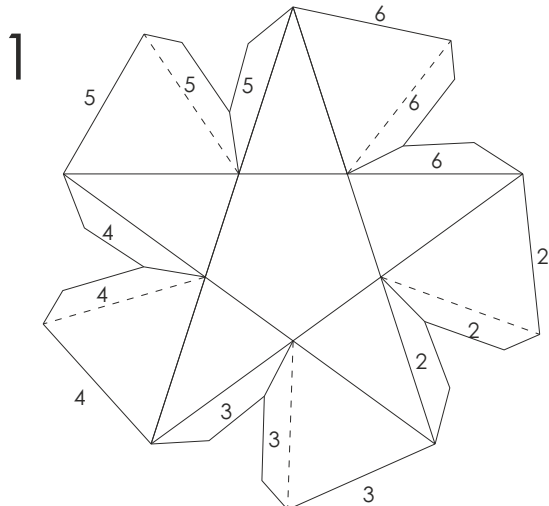
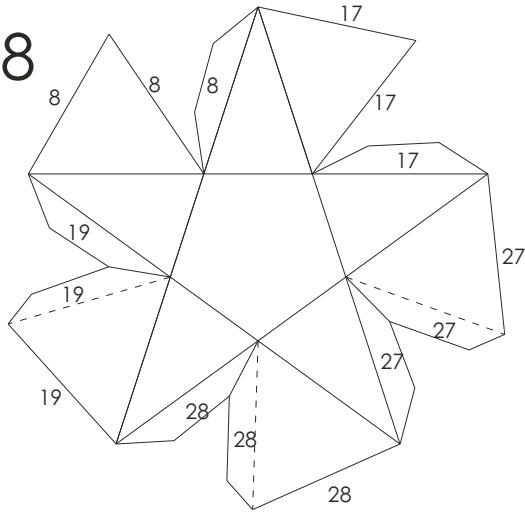


# Small Snub Icosicosidodecahedron

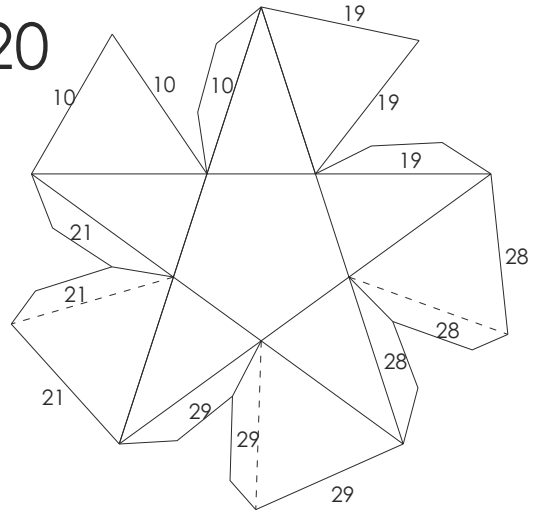


Fold the dotted lines forwards  
 Fold the other lines backwards  
[www.polyhedra.net](http://www.polyhedra.net)

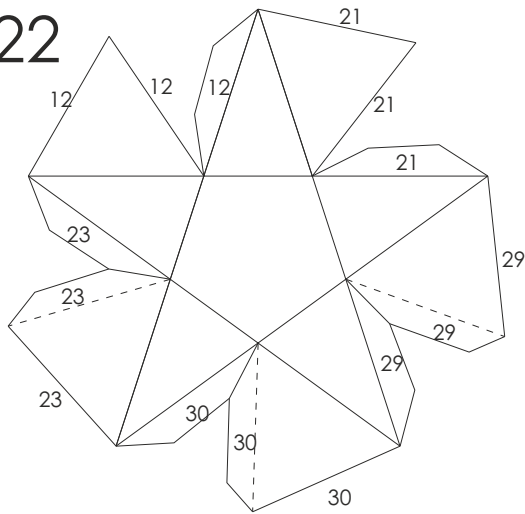
18



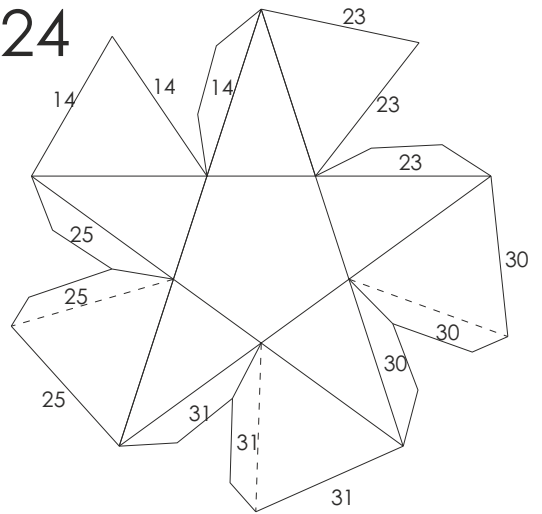
20



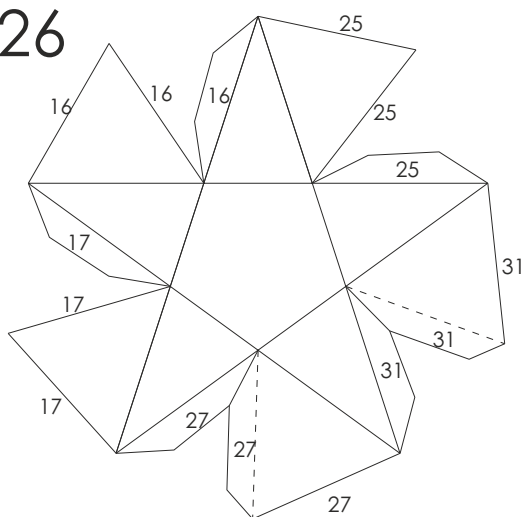
22



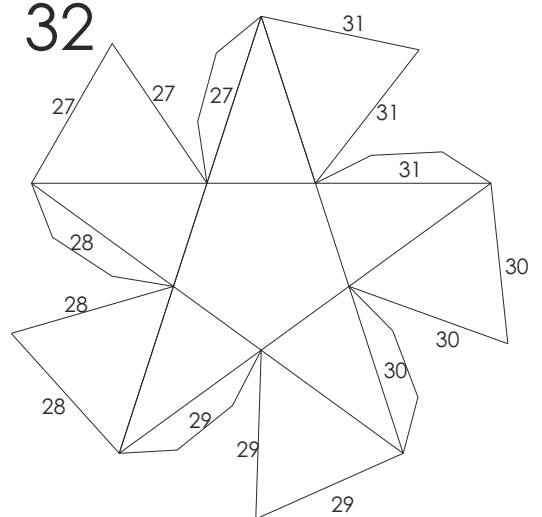
24



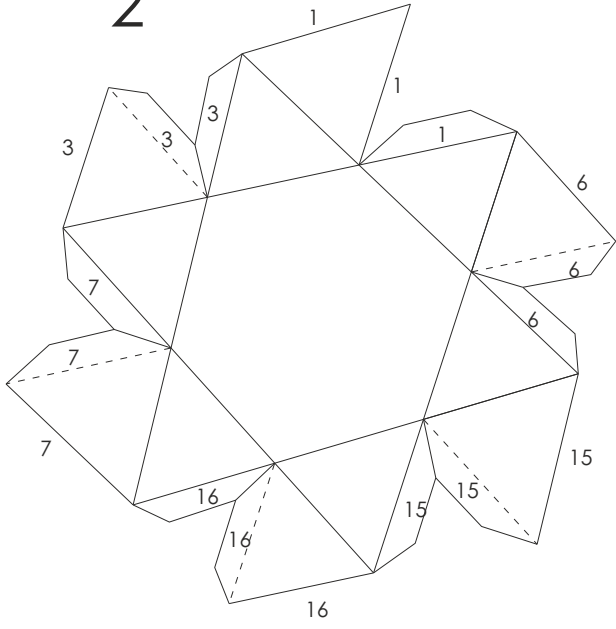
26



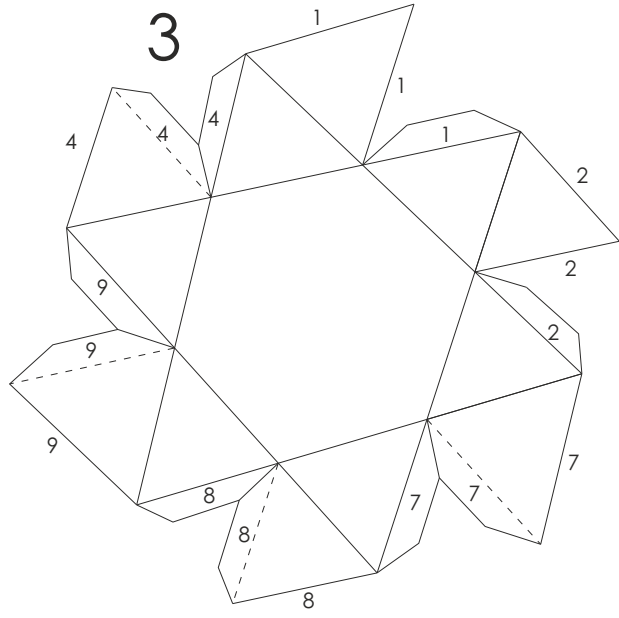
32



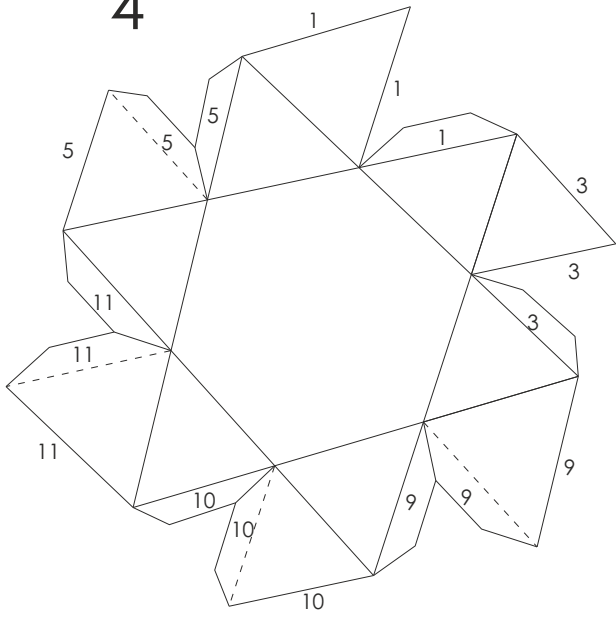
2



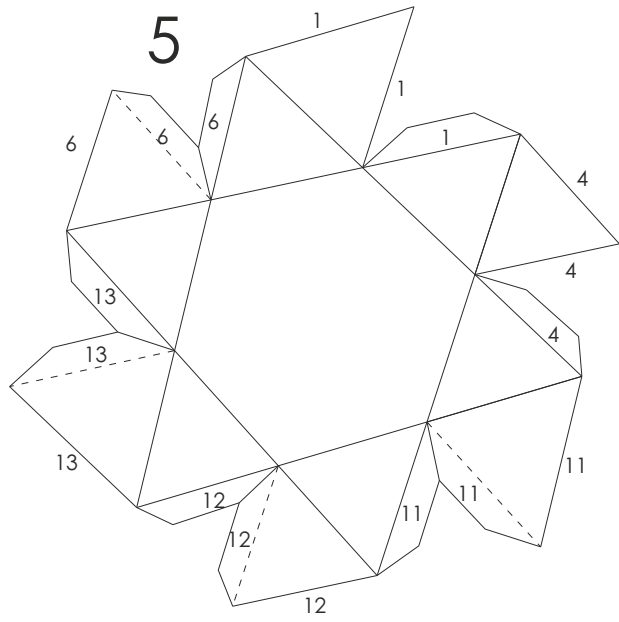
3



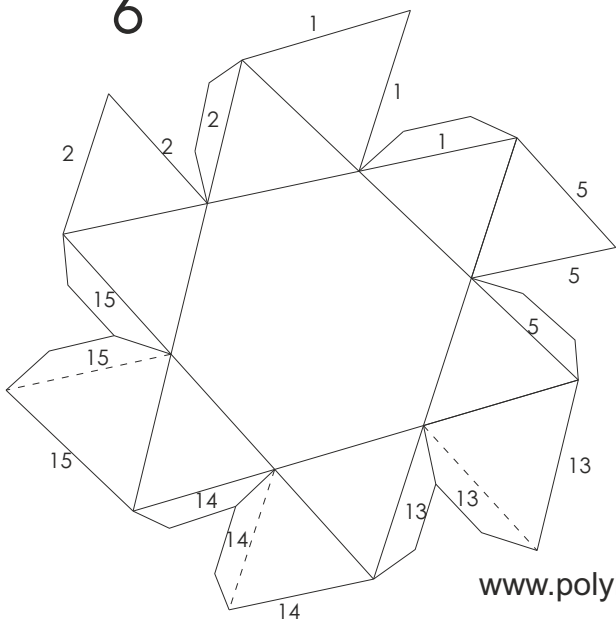
4



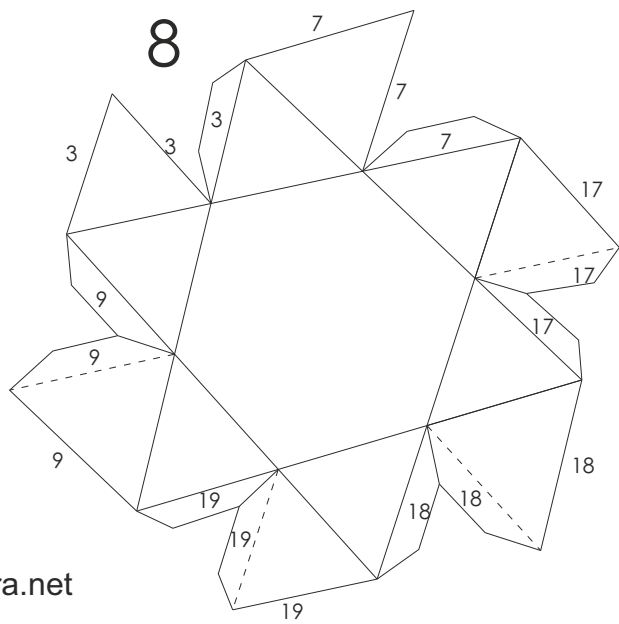
5



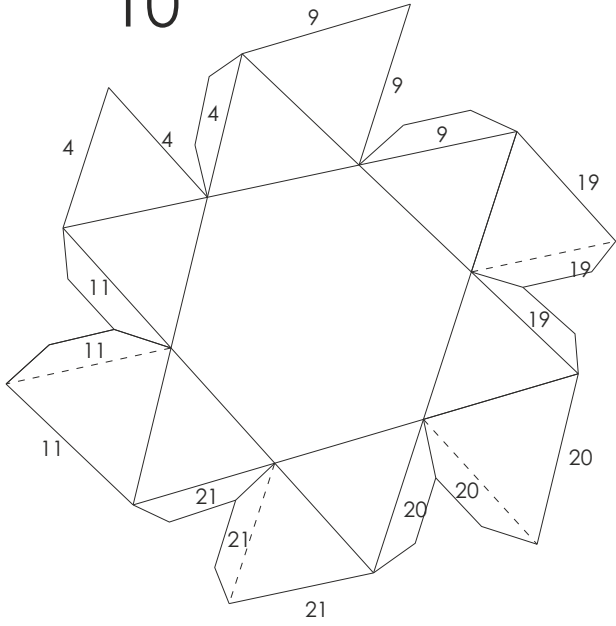
6



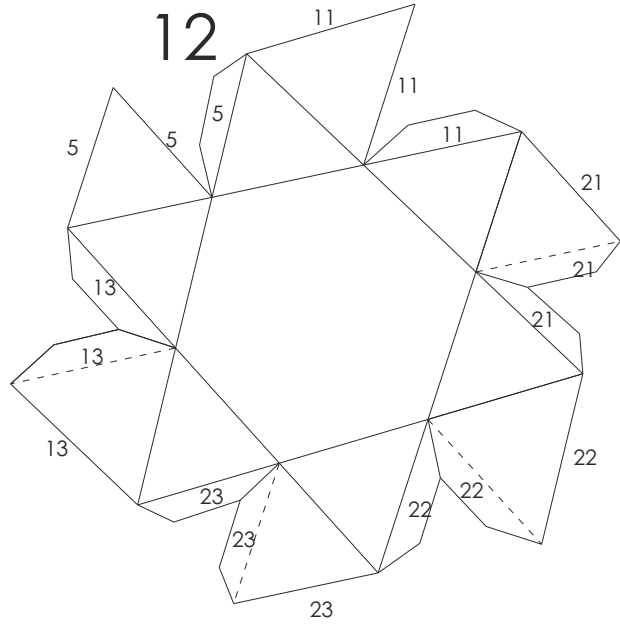
8



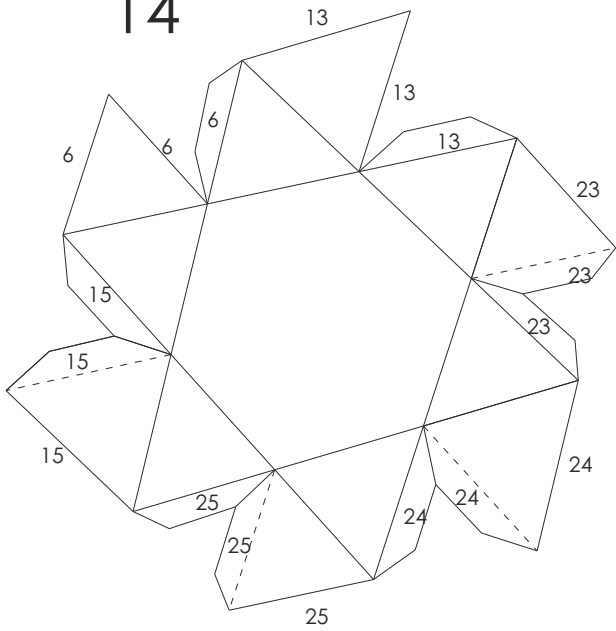
10



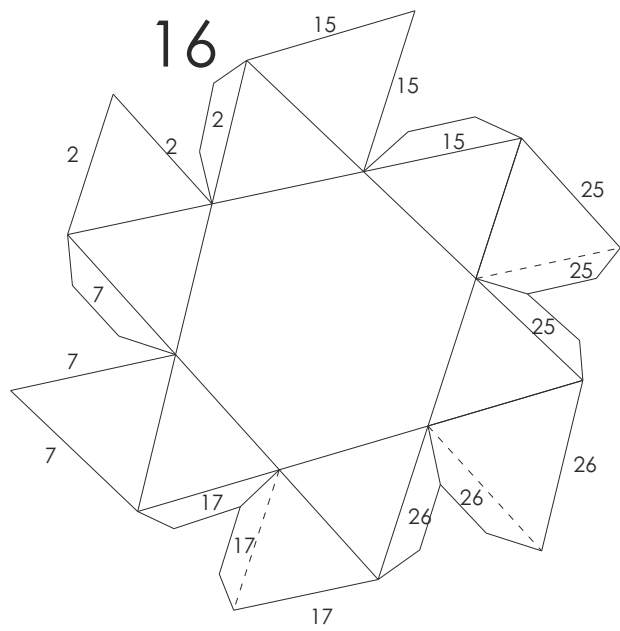
12



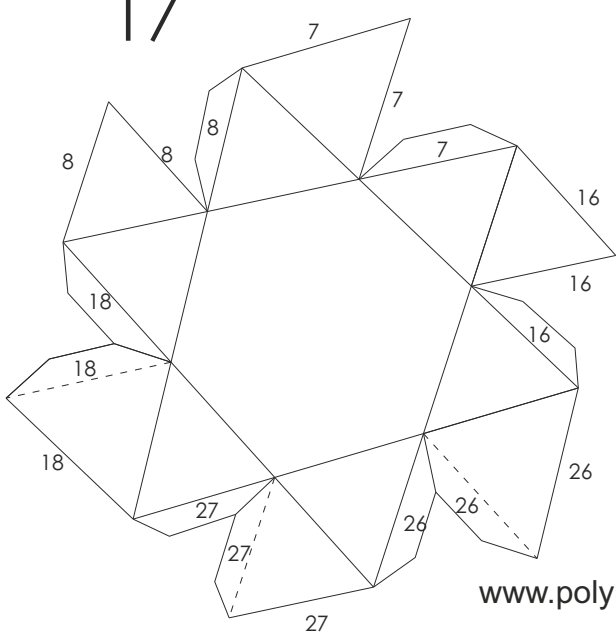
14



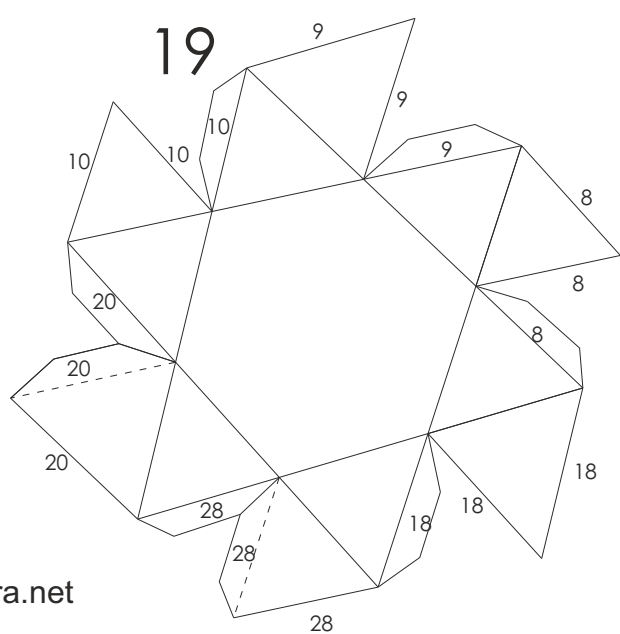
16



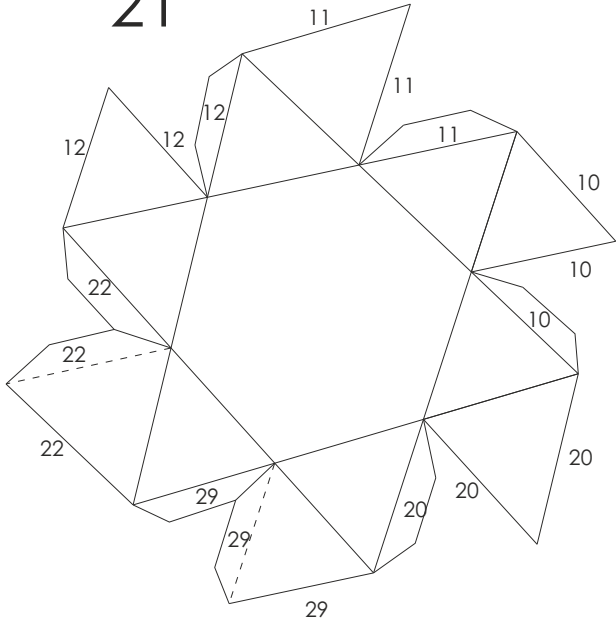
17



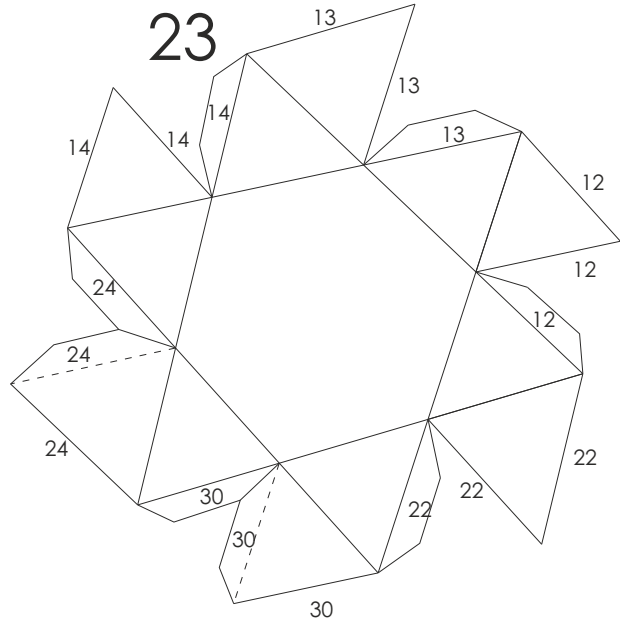
19



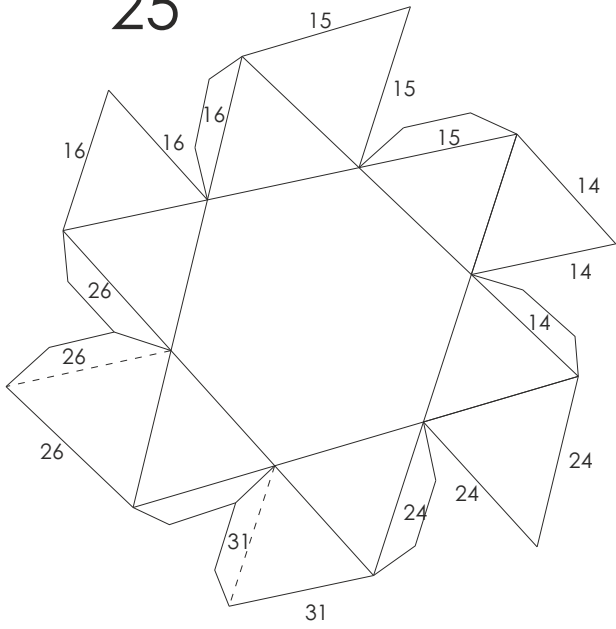
21



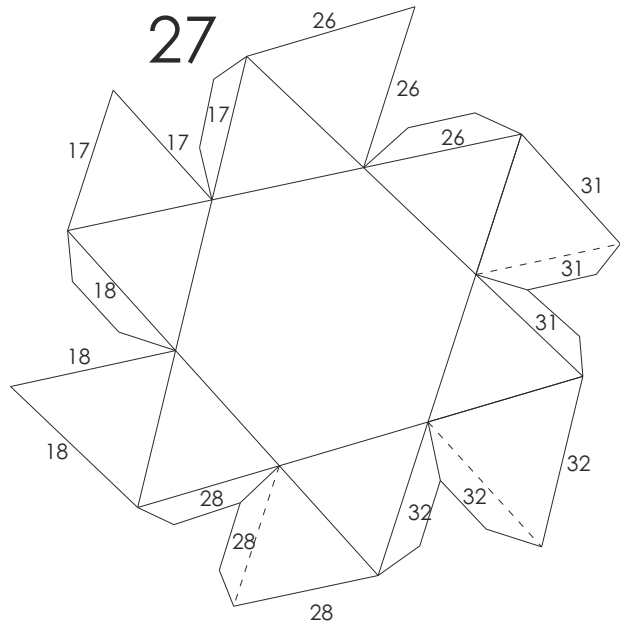
23



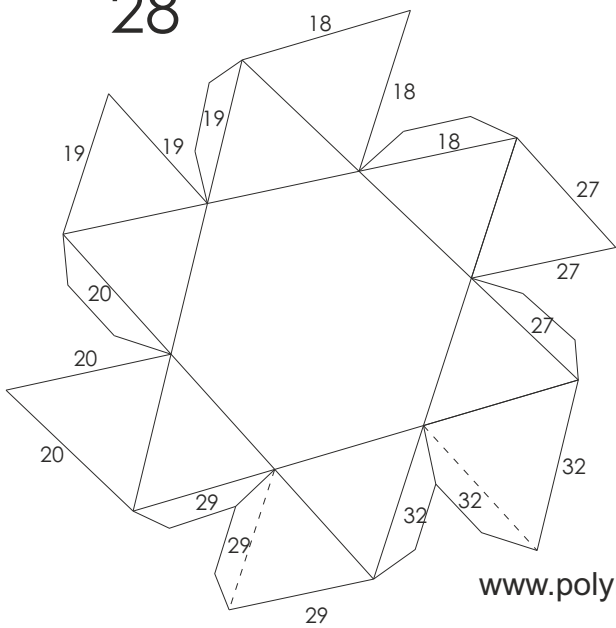
25



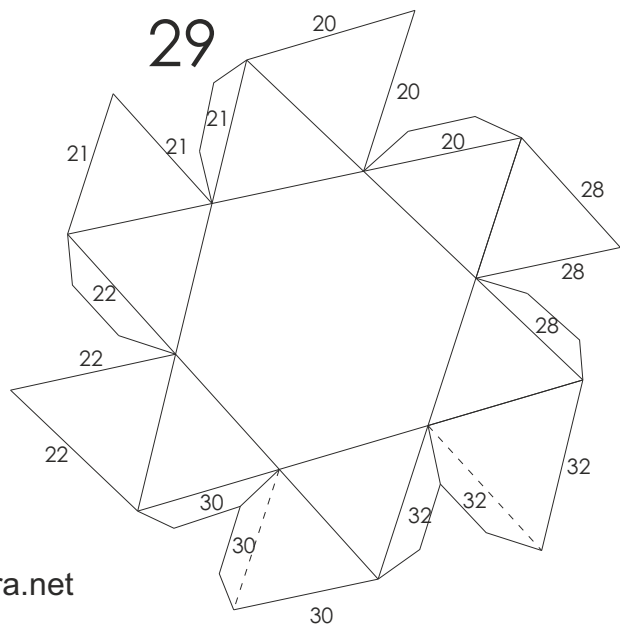
27



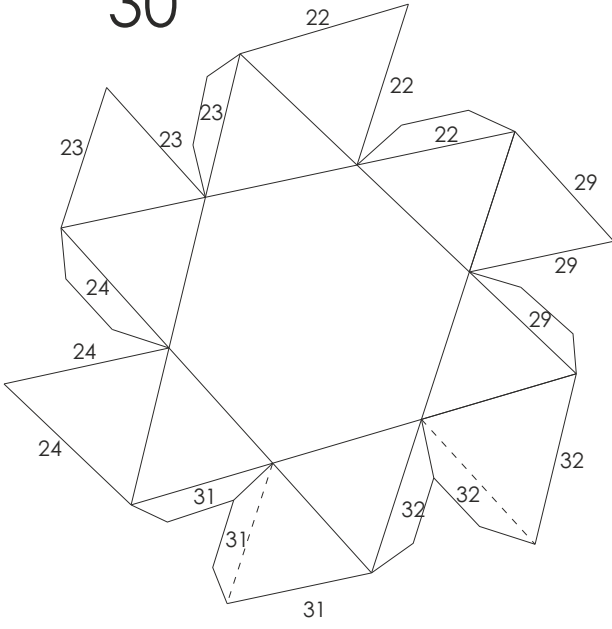
28



29



30



31

